



Quality with Style

Swift Motorhomes

Dunswell Road, Cottingham, East Yorkshire HU16 4JX.

Tel: 01482 875740 Fax: 01482 840082

email: enquiry@swiftleisure.co.uk

website: www.swiftmotorhomes.co.uk

A MEMBER OF THE SWIFT GROUP

1080040 issued September 2007



Swift

Specification, wiring diagrams & bulb chart

Kon-Tiki





CONTENTS

Standard Specifications.....	2
Optional Specifications.....	3
Capacities	5
Towing Capabilities	6
Jacking.....	7
Wiring Diagrams.....	8
Bulb Replacement	14

Standard Specifications

MODEL	Kon-Tiki 645	Kon-Tiki 665 P	Kon-Tiki 665 S	Kon-Tiki 675	Kon-Tiki 669 TAG Axle	Kon-Tiki 679 TAG Axle
Engine	Fiat '130 MultiJet' diesel	Fiat '130 MultiJet' diesel	Fiat '130 MultiJet' diesel	Fiat '130 MultiJet' diesel	Fiat '160 MultiJet' power diesel	Fiat '160 MultiJet' power diesel
Engine Capacity	2287cc	2287cc	2287cc	2287cc	2999cc	2999cc
Engine Power	130bhp @ 3600rpm	130bhp @ 3600rpm	130bhp @ 3600rpm	130bhp @ 3600rpm	157bhp @ 3500rpm	157bhp @ 3500rpm
Engine Torque	320Nm @ 2000rpm	320Nm @ 2000rpm	320Nm @ 2000rpm	320Nm @ 2000rpm	400Nm @ 1700rpm	400Nm @ 1700rpm
Chassis	Fiat/AL-KO low line	Fiat/AL-KO low line	Fiat/AL-KO low line	Fiat/AL-KO low line	Fiat/AL-KO low line	Fiat/AL-KO low line
Wheel base	4.40m/14'5"	4.40m/14'5"	4.40m/14'5"	4.40m/14'5"	4.60m/15'1"; 0.80m/2'7"	4.60m/15'1"; 0.80m/2'7"
Designated Passenger Seats	3	1	3	3	3	3
Berths (sleeping positions)	5	6	4	5	5	5
Overall Length	7.66m/25'2"	7.66m/25'2"	7.66m/25'2"	7.66m/25'2"	8.67m/28'5"	8.67m/28'5"
Overall Width (mirrors folded)	2.35m/7'8"	2.35m/7'8"	2.35m/7'8"	2.35m/7'8"	2.35m/7'8"	2.35m/7'8"
Overall Height	3.05m/10'0"	3.05m/10'0"	3.05m/10'0"	3.05m/10'0"	3.05m/10'0"	3.05m/10'0"
Maximum Technical Permissible Laden Mass (A)	4250kg	4250kg	4250kg	4250kg	5000kg	5000kg
Mass in Running Order (B)†	3715kg	3625kg	3680kg	3720kg	4165kg	4165kg
Maximum User Payload (A-B)	535kg	625kg	570kg	530kg	835kg	835kg
Essential Habitation Equipment	19kg	19kg	19kg	19kg	19kg	19kg
Thermal Insulation Grade	(THREE)	(THREE)	(THREE)	(THREE)	(THREE)	(THREE)
BED SIZES						
Front Double		213cm x 141cm/7'0" x 4'8"				
Front Nearside Single						
Front Offside Single	180cm x 64cm/5'11" x 2'1"			180cm x 64cm/5'11" x 2'1"	180cm x 64cm/5'11" x 2'1"	180cm x 64cm/5'11" x 2'1"
Rear Double	213cm x 188cm/7'0" x 6'2"	190cm x 131cm/6'3" x 4'4"	190cm x 131cm/6'3" x 4'4"	213cm x 140cm/7'0" x 4'7"	186cm x 132cm/6'4" x 4'4"	199cm x 130cm/6'6" x 4'3"
Rear Nearside Single	193cm x 73cm/6'4" x 2'5"			189cm x 71cm/6'2" x 2'4"		
Rear Offside Single	188cm x 73cm/6'2" x 2'5"			189cm x 71cm/6'2" x 2'4"		
Overcab Bed	191cm x 137cm/6'3" x 4'6"	191cm x 137cm/6'3" x 4'6"	191cm x 137cm/6'3" x 4'6"	191cm x 137cm/6'3" x 4'6"	191cm x 137cm/6'3" x 4'6"	191cm x 137cm/6'3" x 4'6"

- NOTE:** 1. The **Maximum User Payload** includes:
- the **conventional load** (this is the allowance for passengers)
 - essential habitation equipment** (items and fluids required for safe and proper functioning of habitation equipment)
 - optional equipment** (items available from the manufacturer over and above the standard specification)
 - personal effects** (those items not covered by the above)
2. The **Mass in Running Order** is the mass of the unladen vehicle including a 75kg allowance for the driver plus engine coolants and 90% of the fuel tank, water tank and gas capacity.
3. PLEASE TAKE CARE TO ENSURE THAT YOU HAVE ALLOWED FOR THE MASSES OF ALL ITEMS YOU INTEND TO CARRY IN THE MOTOR CARAVAN, e.g. passengers, optional equipment, essential habitation equipment and personal effects, such as clothing, food, pets, bicycles, sailboards, sports equipment etc.
4. **WARNING** - UNDER NO CIRCUMSTANCES SHOULD THE MAXIMUM TECHNICAL PERMISSIBLE LADEN MASS OF THIS MOTOR CARAVAN BE EXCEEDED.

Optional Specifications

MODEL	Kon-Tiki 645	Kon-Tiki 665 P	Kon-Tiki 665 S	Kon-Tiki 675
Engine	Fiat '160 MultiJet' power diesel	Fiat '160 MultiJet' power diesel	Fiat '160 MultiJet' power diesel	Fiat '160 MultiJet' power diesel
Engine Capacity	2999cc	2999cc	2999cc	2999cc
Engine Power	157bhp @ 3500rpm	157bhp @ 3500rpm	157bhp @ 3500rpm	157bhp @ 3500rpm
Engine Torque	400Nm @ 1700rpm	400Nm @ 1700rpm	400Nm @ 1700rpm	400Nm @ 1700rpm
Chassis	Fiat/AL-KO low line	Fiat/AL-KO low line	Fiat/AL-KO low line	Fiat/AL-KO low line
Wheel base	4.40m/14'5"	4.40m/14'5"	4.40m/14'5"	4.40m/14'5"
Designated Passenger Seats	3	1	3	3
Berths (sleeping positions)	5	6	4	5
Overall Length	7.66m/25'2"	7.66m/25'2"	7.66m/25'2"	7.66m/25'2"
Overall Width (mirrors folded)	2.35m/7'8"	2.35m/7'8"	2.35m/7'8"	2.35m/7'8"
Overall Height	3.05m/10'0"	3.05m/10'0"	3.05m/10'0"	3.05m/10'0"
Maximum Technical Permissible Laden Mass (A)	4250kg	4250kg	4250kg	4250kg
Mass in Running Order (B)†	3765kg	3675kg	3730kg	3770kg
Maximum User Payload (A-B)	485kg	575kg	520kg	480kg
Essential Habitation Equipment	19kg	19kg	19kg	19kg
Thermal Insulation Grade	(THREE)	(THREE)	(THREE)	(THREE)
BED SIZES				
Front Double		213cm x 141cm/7'0" x 4'8"		
Front Nearside Single				
Front Offside Single	180cm x 64cm/5'11" x 2'1"			180cm x 64cm/5'11" x 2'1"
Rear Double	213cm x 188cm/7'0" x 6'2"	190cm x 131cm/6'3" x 4'4"	190cm x 131cm/6'3" x 4'4"	213cm x 140cm/7'0" x 4'7"
Rear Nearside Single	193cm x 73cm/6'4" x 2'5"			189cm x 71cm/6'2" x 2'4"
Rear Offside Single	188cm x 73cm/6'2" x 2'5"			189cm x 71cm/6'2" x 2'4"
Overcab Bed	191cm x 137cm/6'3" x 4'6"	191cm x 137cm/6'3" x 4'6"	191cm x 137cm/6'3" x 4'6"	191cm x 137cm/6'3" x 4'6"

- NOTE:** 1. The **Maximum User Payload** includes: a) the **conventional load** (this is the allowance for passengers)
b) **essential habitation equipment** (items and fluids required for safe and proper functioning of habitation equipment)
c) **optional equipment** (items available from the manufacturer over and above the standard specification)
d) **personal effects** (those items not covered by the above)
2. The **Mass in Running Order** is the mass of the unladen vehicle including a 75kg allowance for the driver plus engine coolants and 90% of the fuel tank, water tank and gas capacity.
3. PLEASE TAKE CARE TO ENSURE THAT YOU HAVE ALLOWED FOR THE MASSES OF ALL ITEMS YOU INTEND TO CARRY IN THE MOTOR CARAVAN, e.g. passengers, optional equipment, essential habitation equipment and personal effects, such as clothing, food, pets, bicycles, sailboards, sports equipment etc.
4. **WARNING** - UNDER NO CIRCUMSTANCES SHOULD THE MAXIMUM TECHNICAL PERMISSIBLE LADEN MASS OF THIS MOTOR CARAVAN BE EXCEEDED.

Optional Specifications

MODEL	Kon-Tiki 645	Kon-Tiki 665 P	Kon-Tiki 665 S	Kon-Tiki 675	Kon-Tiki 669 TAG Axle	Kon-Tiki 679 TAG Axle
Engine	Fiat '160 Auto MultiJet' power diesel	Fiat '160 Auto MultiJet' power diesel	Fiat '160 Auto MultiJet' power diesel	Fiat '160 Auto MultiJet' power diesel	Fiat '160 Auto MultiJet' power diesel	Fiat '160 Auto MultiJet' power diesel
Engine Capacity	2999cc	2999cc	2999cc	2999cc	2999cc	2999cc
Engine Power	157bhp @ 3500rpm	157bhp @ 3500rpm	157bhp @ 3500rpm	157bhp @ 3500rpm	157bhp @ 3500rpm	157bhp @ 3500rpm
Engine Torque	400Nm @ 1700rpm	400Nm @ 1700rpm	400Nm @ 1700rpm	400Nm @ 1700rpm	400Nm @ 1700rpm	400Nm @ 1700rpm
Chassis	Fiat/AL-KO low line	Fiat/AL-KO low line	Fiat/AL-KO low line	Fiat/AL-KO low line	Fiat/AL-KO low line	Fiat/AL-KO low line
Wheel base	4.40m/14'5"	4.40m/14'5"	4.40m/14'5"	4.40m/14'5"	4.60m/15'1"; 0.80m/2'7"	4.60m/15'1"; 0.80m/2'7"
Designated Passenger Seats	3	1	3	3	3	3
Berths (sleeping positions)	5	6	4	5	5	5
Overall Length	7.66m/25'2"	7.66m/25'2"	7.66m/25'2"	7.66m/25'2"	8.67m/28'5"	8.67m/28'5"
Overall Width (mirrors folded)	2.35m/7'8"	2.35m/7'8"	2.35m/7'8"	2.35m/7'8"	2.35m/7'8"	2.35m/7'8"
Overall Height	3.05m/10'0"	3.05m/10'0"	3.05m/10'0"	3.05m/10'0"	3.05m/10'0"	3.05m/10'0"
Maximum Technical Permissible Laden Mass (A)	4250kg	4250kg	4250kg	4250kg	5000kg	5000kg
Mass in Running Order (B)†	3782kg	3692kg	3747kg	3787kg	4182kg	4182kg
Maximum User Payload (A-B)	468kg	558kg	503kg	463kg	818kg	818kg
Essential Habitation Equipment	19kg	19kg	19kg	19kg	19kg	19kg
Thermal Insulation Grade	(THREE)	(THREE)	(THREE)	(THREE)	(THREE)	(THREE)
BED SIZES						
Front Double		213cm x 141cm/7'0" x 4'8"				
Front Nearside Single						
Front Offside Single	180cm x 64cm/5'11" x 2'1"			180cm x 64cm/5'11" x 2'1"	180cm x 64cm/5'11" x 2'1"	180cm x 64cm/5'11" x 2'1"
Rear Double	213cm x 188cm/7'0" x 6'2"	190cm x 131cm/6'3" x 4'4"	190cm x 131cm/6'3" x 4'4"	213cm x 140cm/7'0" x 4'7"	186cm x 132cm/6'4" x 4'4"	199cm x 130cm/6'6" x 4'3"
Rear Nearside Single	193cm x 73cm/6'4" x 2'5"			189cm x 71cm/6'2" x 2'4"		
Rear Offside Single	188cm x 73cm/6'2" x 2'5"			189cm x 71cm/6'2" x 2'4"		
Overcab Bed	191cm x 137cm/6'3" x 4'6"	191cm x 137cm/6'3" x 4'6"	191cm x 137cm/6'3" x 4'6"	191cm x 137cm/6'3" x 4'6"	191cm x 137cm/6'3" x 4'6"	191cm x 137cm/6'3" x 4'6"

- NOTE:** 1. The **Maximum User Payload** includes: a) the **conventional load** (this is the allowance for passengers)
b) **essential habitation equipment** (items and fluids required for safe and proper functioning of habitation equipment)
c) **optional equipment** (items available from the manufacturer over and above the standard specification)
d) **personal effects** (those items not covered by the above)
2. The **Mass in Running Order** is the mass of the unladen vehicle including a 75kg allowance for the driver plus engine coolants and 90% of the fuel tank, water tank and gas capacity.
3. PLEASE TAKE CARE TO ENSURE THAT YOU HAVE ALLOWED FOR THE MASSES OF ALL ITEMS YOU INTEND TO CARRY IN THE MOTOR CARAVAN, e.g. passengers, optional equipment, essential habitation equipment and personal effects, such as clothing, food, pets, bicycles, sailboards, sports equipment etc.
4. **WARNING** - UNDER NO CIRCUMSTANCES SHOULD THE MAXIMUM TECHNICAL PERMISSIBLE LADEN MASS OF THIS MOTOR CARAVAN BE EXCEEDED.

Capacities

Water Tank Capacities

	Fresh Water Tank	Waste Water Tank	Water Heater	Toilet Tank (Flushing)
Kon-Tiki Series	125 litre	100 litre	12 litre	7 litre

Gas Capacities

	Capacity
Kon-Tiki Series	2 x 13kg

The above are recommended gas bottle sizes

NOTICE

For technical data on the base vehicle please refer to manufacturer's handbook

Swift Kon-Tiki Series Towing Capabilities

Model	Engine / Chassis	MTPLM	Permissible Front Axle Load	Permissible Rear Axle Load	Recommended Maximum Trailer Weight	Gross Train Weight
Kon-Tiki 645	130JTD (2.3L) / ABS	4250kg	2100kg	2400kg	1250kg < 2000kg	5500kg
Kon-Tiki 645	160JTD (3.0L) / ABS	4250kg	2100kg	2400kg	1250kg < 2000kg	5500kg
Kon-Tiki 665 P	130JTD (2.3L) / ABS	4250kg	2100kg	2400kg	1250kg < 2000kg	5500kg
Kon-Tiki 665 P	160JTD (3.0L) / ABS	4250kg	2100kg	2400kg	1250kg < 2000kg	5500kg
Kon-Tiki 665 S	130JTD (2.3L) / ABS	4250kg	2100kg	2400kg	1250kg < 2000kg	5500kg
Kon-Tiki 665 S	160JTD (3.0L) / ABS	4250kg	2100kg	2400kg	1250kg < 2000kg	5500kg
Kon-Tiki 675	130JTD (2.3L) / ABS	4250kg	2100kg	2400kg	1250kg < 2000kg	5500kg
Kon-Tiki 675	160JTD (3.0L) / ABS	4250kg	2100kg	2400kg	1250kg < 2000kg	5500kg
Kon-Tiki 669	160JTD (3.0L) / ABS	5000kg	2100kg	2 x 1500kg	1000kg < 1600kg	6000kg
Kon-Tiki 679	160JTD (3.0L) / ABS	5000kg	2100kg	2 x 1500kg	1000kg < 1600kg	6000kg

Single axle conversions - Maximum towed trailer mass = 2000kg

Tandem axle conversions - Maximum towed trailer mass = 1600kg

These towing capacities are valid provided the Gross Train Weights as shown on the ALKO conversion plates are not exceeded.

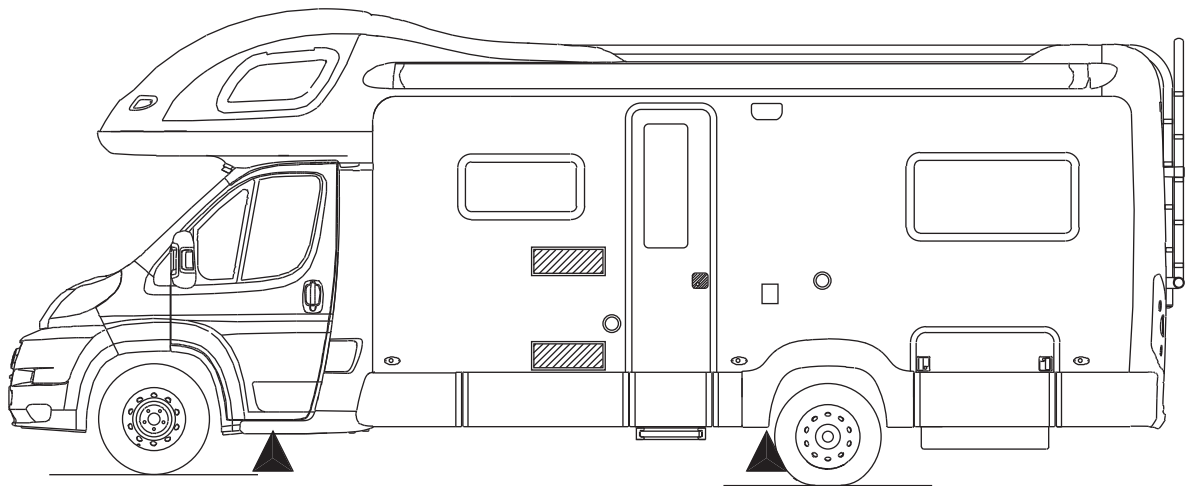
To ensure adequate road holding, the load on the front axle, under all conditions, must not be less than 40% or more than 70% of the total weight.

Care must be taken when distributing loads. The loadings above are maximum loadings and must not be exceeded under any circumstances.

CAUTION: When fitting a towbar, it must meet certain minimum requirements as specified by Type Approval Regulations. The bar will have marked on it the approval standard (94/20/EC) and the maximum download, or noseweight, that it can accept. It must fit the manufacturer's approved mounting points and must not obscure the towing vehicle's number plate.

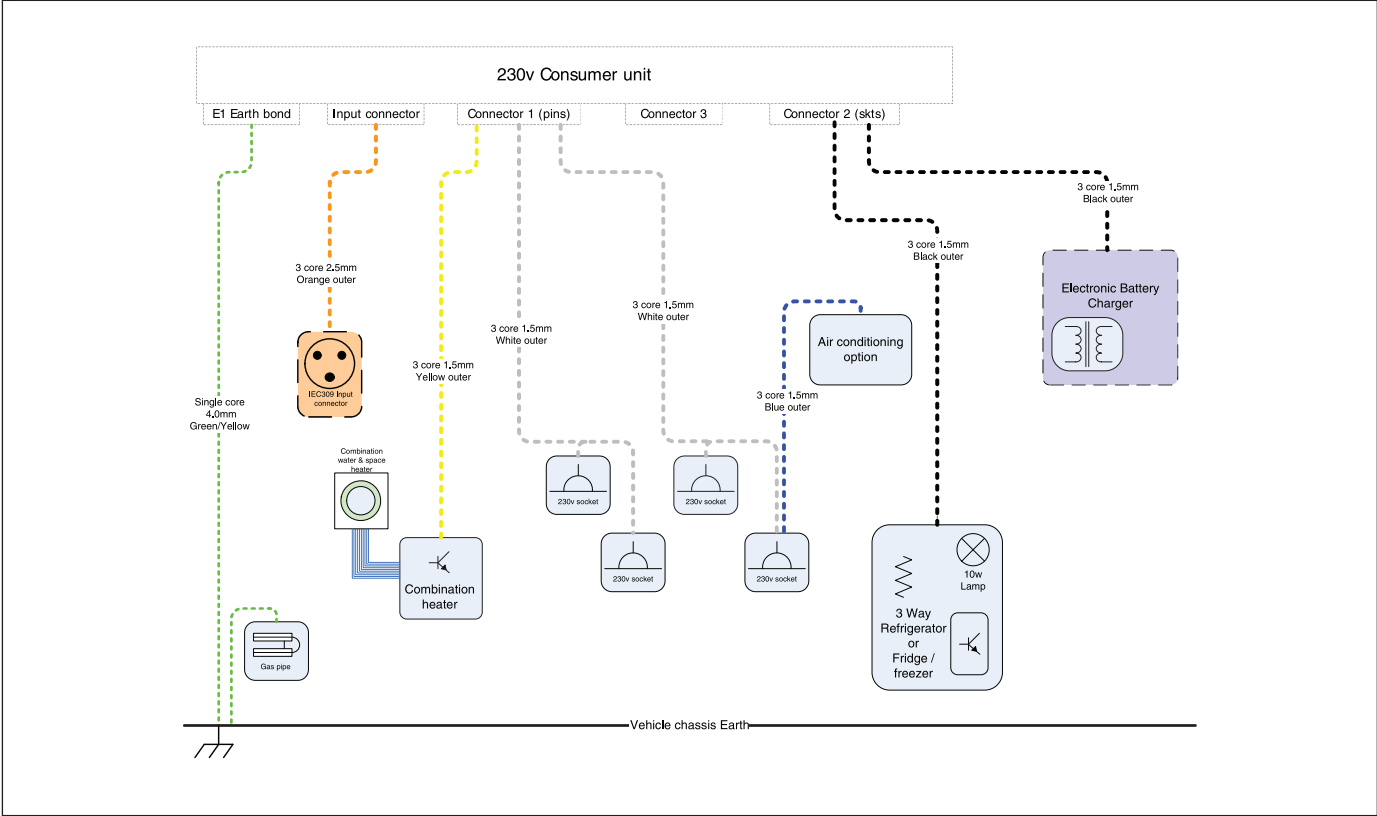
Jacking

SWIFT KON-TIKI SERIES



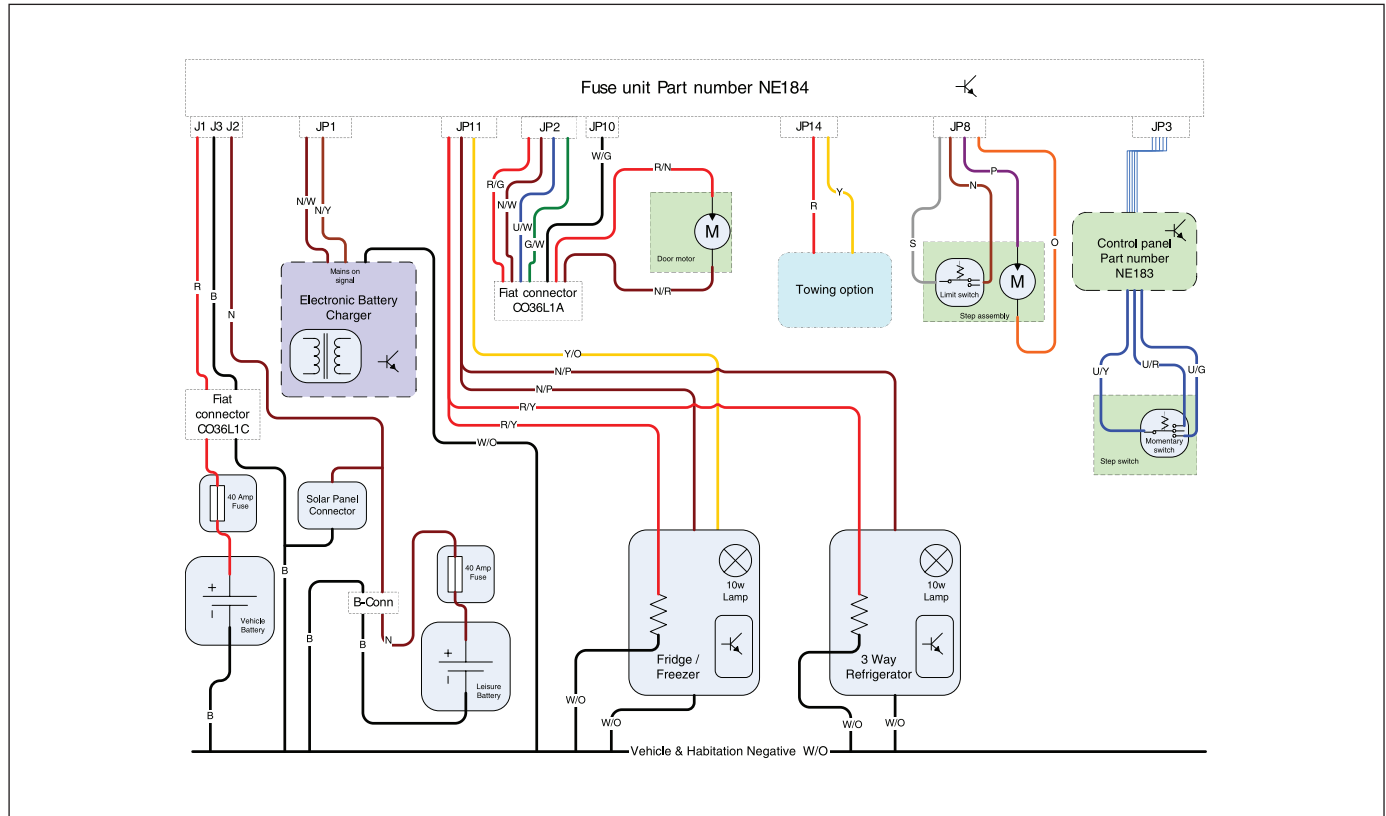
Jacking Points: ▲

SWIFT KON-TIKI SERIES - 230V CIRCUITS

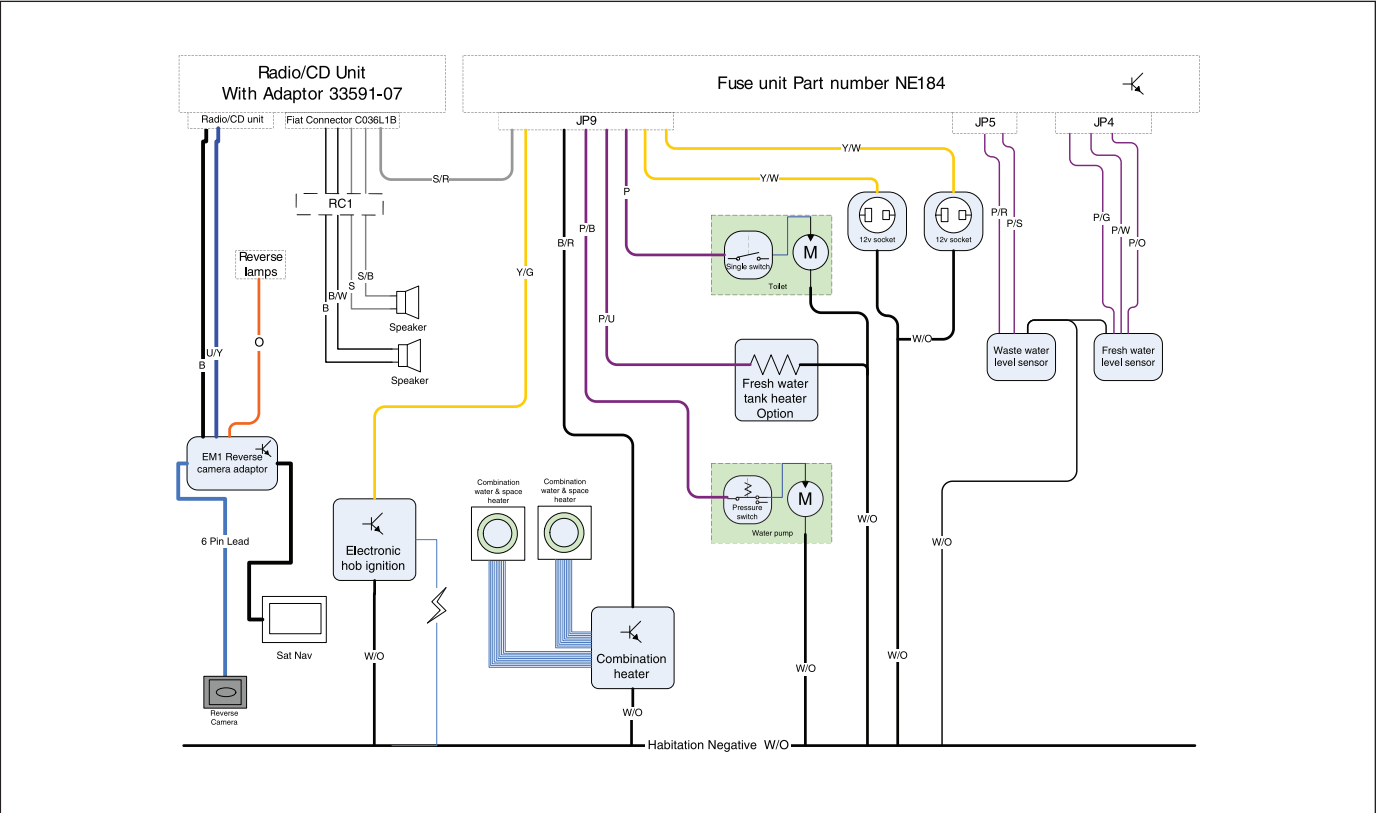


Wiring Diagrams

SWIFT KON-TIKI SERIES - POWER CIRCUITS

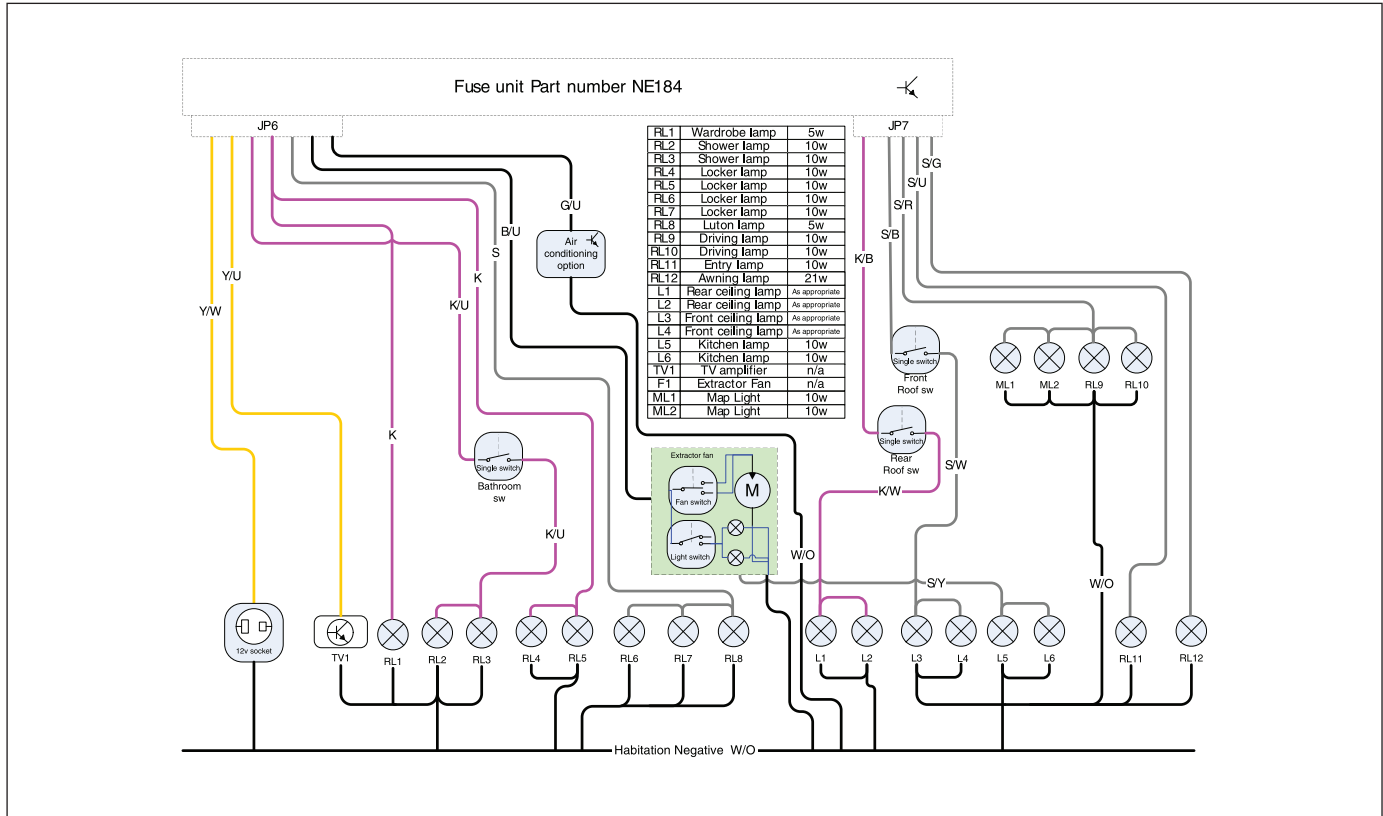


SWIFT KON-TIKI SERIES - CONSUMER CIRCUITS – FLOOR

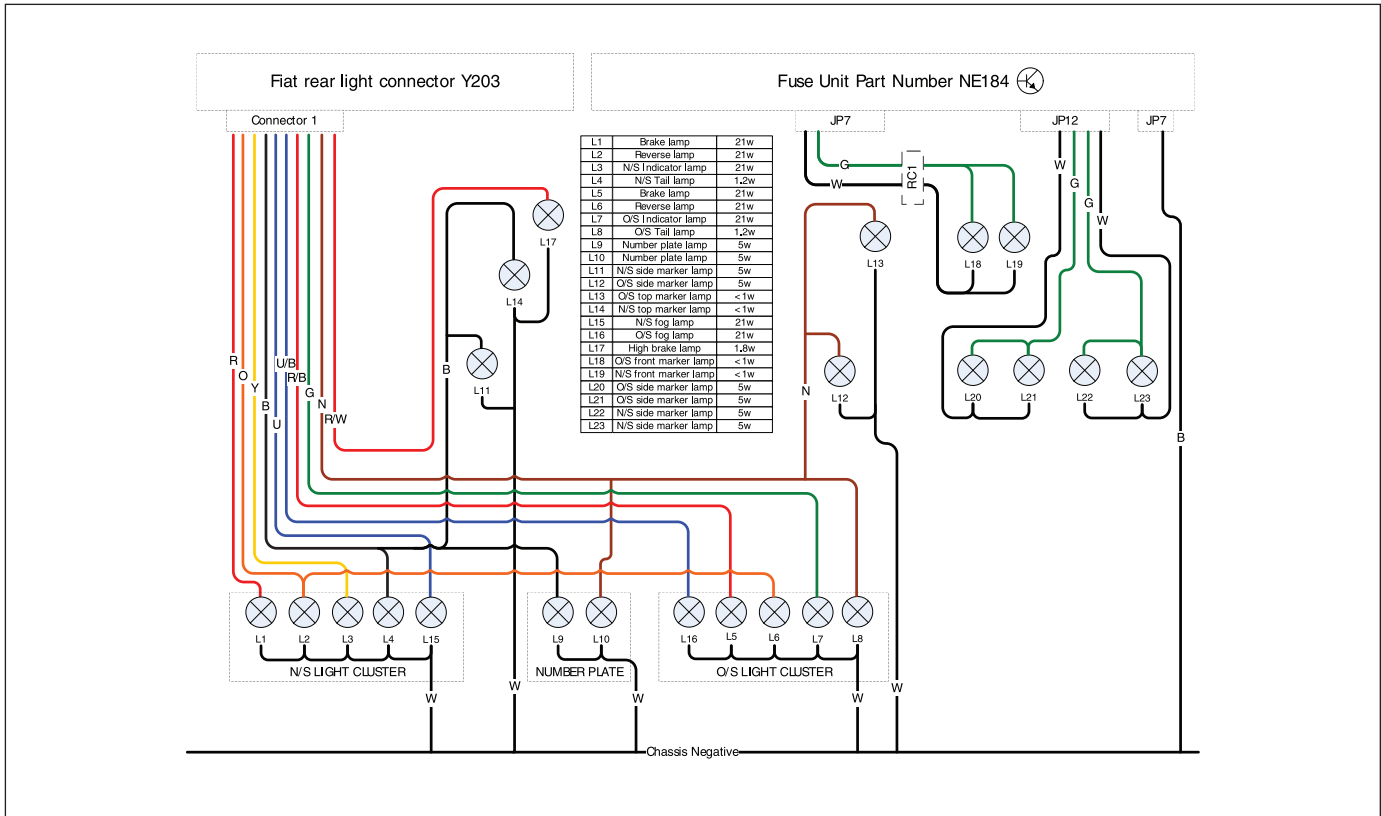


Wiring Diagrams

SWIFT KON-TIKI SERIES - CONSUMER CIRCUITS – ROOF



SWIFT KON-TIKI SERIES - ROAD LIGHTING



Wiring Diagrams

SWIFT KON-TIKI SERIES - CABLE COLOUR CHART



12v Cable Colours

B	BLACK
N	BROWN
R	RED
O	ORANGE
Y	YELLOW
G	GREEN
U	BLUE
P	PURPLE
S	SLATE GREY
W	WHITE
K	PINK

230v Cable Colours

B	BLACK
N	BROWN
W	WHITE
O	ORANGE
Y	YELLOW
G	GREEN
U	BLUE

Bulb Replacement

SWIFT KON-TIKI SERIES			
	Bulb Reference	Bulb Rating	
EXTERIOR LIGHTS			
Front marker light	LED - Replace lamp	12V <1W	
Side marker light	W5W	12V 5W	
Rear high level marker light	LED - Replace lamp	12V <1W	
High level stop lamp	T5/13.5	12V 2.3W	
Rear indicator lamp	PY21 Orange	12V 21W	
Rear tail lamp	LED - Replace lamp	12V 1.2W	
Rear stop lamp	P21	12V 21W	
Rear reverse lamp	P21	12V 21W	
Rear fog lamp	P21	12V 21W	
Number plate light	C5W	12V 5W	
INTERIOR LIGHTS			
Downlighters	Halogen capsule	G4 12V 10W	
Locker spotlights	GU4 / MR11 Dichroic	GU4 12V 10W	
Cooker hood mounted lamps	GU4 / MR11 Dichroic	GU4 12V 10W	
Panel mounted fluorescent lamps	300mm Fluorescent	12V 13W	
Skylight surround fluorescent lamps	300mm Fluorescent	12V 8W	
Luton fluorescent lamps	300mm Fluorescent	12V 8W	
B Pillar map reading lamps	GU4 / MR11 Dichroic	GU4 12V 10W	
Awning lamp	P21W	12V 21W	

Note: Not all lights and bulbs feature on all models within a range