



Individually styled
Beautifully built

BESSACARR MOTORHOMES

Dunswell Road, Cottingham, East Yorkshire HU16 4JX.

Tel: 01482 875740 Fax: 01482 840082

email: enquiry@swiftleisure.co.uk

website: www.bessacarrmotorhomes.co.uk

A MEMBER OF THE SWIFT GROUP

1078989 issued September 2007

bessacarrmotorhomes

E500 Series specification, wiring diagrams & bulb chart





CONTENTS

Standard Specifications.....	2
Optional Specifications.....	3
Capacities	4
Towing Capabilities	5
Jacking.....	6
Wiring Diagrams.....	7
Bulb Replacement	13

Standard Specifications

MODEL	Bessacarr E530	Bessacarr E520	Bessacarr E540	Bessacarr E560
Engine	Fiat '130 MultiJet' diesel	Fiat '130 MultiJet' diesel	Fiat '130 MultiJet' diesel	Fiat '130 MultiJet' diesel
Engine Capacity	2287cc	2287cc	2287cc	2287cc
Engine Power	130bhp @ 3600rpm	130bhp @ 3600rpm	130bhp @ 3600rpm	130bhp @ 3600rpm
Engine Torque	320Nm @ 2000rpm	320Nm @ 2000rpm	320Nm @ 2000rpm	320Nm @ 2000rpm
Chassis	Fiat special low line	Fiat special low line	Fiat special low line	Fiat special low line
Wheel base	3.45m/11'4"	4.04m/13'3"	4.04m/13'3"	4.04m/13'3"
Designated Passenger Seats	1	1	1	1
Berths (sleeping positions)	2	2	2	4
Overall Length (no ladder)*	6.54m/21'5"	6.54m/21'5"	6.54m/21'5"	7.04m/23'1"
Overall Width (mirrors folded)	2.35m/7'8"	2.35m/7'8"	2.35m/7'8"	2.35m/7'8"
Overall Height (inc. TV aerial)	2.79m/9'9"	2.79m/9'9"	2.79m/9'9"	2.79m/9'9"
Maximum Technical Permissible Laden Mass (A)	3500kg	3500kg	3500kg	3500kg
Mass in Running Order (B)†	2935kg	2960kg	2945kg	3060kg
Maximum User Payload (A-B)	565kg	540kg	555kg	440kg
Essential Habitation Equipment	12kg	12kg	12kg	12kg
Maximum recommended trailer weight	1250kg	1660kg	1660kg	1300kg
Thermal Insulation Grade	Three	Three	Three	Three
BED SIZES				
Front Double	2.11m x 1.82m/6'11" x 6'0"		2.11m x 1.37m/1.22m/6'11" x 4'6"/4'0"	2.11m x 1.25/1.08/6'11" x 4'1"/3'7"
Front Nearside Single	1.82m x 0.71m/6'0" x 2'4"			
Front Offside Single	1.82m x 0.71m/6'0" x 2'4"			
Rear Double		2.11m x 1.82m/6'11" x 6'0"		1.90m x 1.32m/6'3" x 4'4"
Rear Nearside Single		1.92m x 0.70m/6'4" x 2'4"		
Rear Offside Single		1.82m x 0.70m/6'0" x 2'4"		

- NOTE:**
- The **Maximum User Payload** includes:
 - the **conventional load** (this is the allowance for passengers)
 - essential habitation equipment** (items and fluids required for safe and proper functioning of habitation equipment)
 - optional equipment** (items available from the manufacturer over and above the standard specification)
 - personal effects** (those items not covered by the above)
 - The **Mass in Running Order** is the mass of the unladen vehicle including a 75kg allowance for the driver plus engine coolants and 90% of the fuel tank, water tank and gas capacity.
 - PLEASE TAKE CARE TO ENSURE THAT YOU HAVE ALLOWED FOR THE MASSES OF ALL ITEMS YOU INTEND TO CARRY IN THE MOTOR CARAVAN, e.g. passengers, optional equipment, essential habitation equipment and personal effects, such as clothing, food, pets, bicycles, sailboards, sports equipment etc.
 - WARNING** - UNDER NO CIRCUMSTANCES SHOULD THE MAXIMUM TECHNICAL PERMISSIBLE LADEN MASS OF THIS MOTOR CARAVAN BE EXCEEDED.

* For optional roof ladder (add 100mm)

Optional Specifications

MODEL	Bessacarr E530	Bessacarr E520	Bessacarr E540	Bessacarr E560
Engine	Fiat '160 Auto MultiJet' power diesel	Fiat '160 Auto MultiJet' power diesel	Fiat '160 Auto MultiJet' power diesel	Fiat '160 Auto MultiJet' power diesel
Engine Capacity	2999cc	2999cc	2999cc	2999cc
Engine Power	157bhp @ 3500rpm	157bhp @ 3500rpm	157bhp @ 3500rpm	157bhp @ 3500rpm
Engine Torque	400Nm @ 1700rpm	400Nm @ 1700rpm	400Nm @ 1700rpm	400Nm @ 1700rpm
Chassis	Fiat special low line	Fiat special low line	Fiat special low line	Fiat special low line
Wheel base	3.45m/11'4"	4.04m/13'3"	4.04m/13'3"	4.04m/13'3"
Designated Passenger Seats	1	1	1	1
Berths (sleeping positions)	2	2	2	4
Overall Length (no ladder)*	6.54m/21'5"	6.54m/21'5"	6.54m/21'5"	7.04m/23'1"
Overall Width (mirrors folded)	2.35m/7'8"	2.35m/7'8"	2.35m/7'8"	2.35m/7'8"
Overall Height (inc. TV aerial)	2.79m/9'9"	2.79m/9'9"	2.79m/9'9"	2.79m/9'9"
Maximum Technical Permissible Laden Mass (A)	3500kg	3500kg	3500kg	3500kg
Mass in Running Order (B)†	3002kg	3027kg	3012kg	3127kg
Maximum User Payload (A-B)	498kg	473kg	488kg	373kg
Essential Habitation Equipment	12kg	12kg	12kg	12kg
Maximum recommended trailer weight	1250kg	1660kg	1660kg	1300kg
Thermal Insulation Grade	Three	Three	Three	Three
BED SIZES				
Front Double	2.11m x 1.82m/6'11" x 6'0"		2.11m x 1.37m/1.22m/6'11" x 4'6"/4'0"	2.11m x 1.25/1.08/6'11" x 4'11"/3'7"
Front Nearside Single	1.82m x 0.71m/6'0" x 2'4"			
Front Offside Single	1.82m x 0.71m/6'0" x 2'4"			
Rear Double		2.11m x 1.82m/6'11" x 6'0"		1.90m x 1.32m/6'3" x 4'4"
Rear Nearside Single		1.92m x 0.70m/6'4" x 2'4"		
Rear Offside Single		1.82m x 0.70m/6'0" x 2'4"		

- NOTE:** 1. The **Maximum User Payload** includes:
- the **conventional load** (this is the allowance for passengers)
 - essential habitation equipment** (items and fluids required for safe and proper functioning of habitation equipment)
 - optional equipment** (items available from the manufacturer over and above the standard specification)
 - personal effects** (those items not covered by the above)
2. The **Mass in Running Order** is the mass of the unladen vehicle including a 75kg allowance for the driver plus engine coolants and 90% of the fuel tank, water tank and gas capacity.
3. PLEASE TAKE CARE TO ENSURE THAT YOU HAVE ALLOWED FOR THE MASSES OF ALL ITEMS YOU INTEND TO CARRY IN THE MOTOR CARAVAN, e.g. passengers, optional equipment, essential habitation equipment and personal effects, such as clothing, food, pets, bicycles, sailboards, sports equipment etc.
4. **WARNING - UNDER NO CIRCUMSTANCES SHOULD THE MAXIMUM TECHNICAL PERMISSIBLE LADEN MASS OF THIS MOTOR CARAVAN BE EXCEEDED.**
- * For optional roof ladder (add 100mm)

Capacities

Water Tank Capacities

	Fresh Water Tank	Waste Water Tank	Water Heater	Toilet Tank (Flushing)
Bessacarr E500	90 litre	68 litre	12 litre	0 litre

Gas Capacities

	Capacity
Bessacarr E500	2 x 7kg

The above are recommended gas bottle sizes

NOTICE

For technical data on the base vehicle please refer to manufacturer's handbook

Towing Capabilities

E500 Towing Capabilities

Model	Engine / Chassis	MTPLM	Permissible Front Axle Load	Permissible Rear Axle Load	Recommended Maximum Trailer Weight	Gross Train Weight
Bessacarr E530	2.3L / 3.0L / MWB / ABS	3500kg	1850kg	2000kg	1250kg	6000kg
Bessacarr E520	2.3L / 3.0L / MWB / ABS	3500kg	1850kg	2000kg	1660kg	6000kg
Bessacarr E540	2.3L / 3.0L / MWB / ABS	3500kg	1850kg	2000kg	1660kg	6000kg
Bessacarr E560	2.3L / 3.0L / MWB / ABS	3500kg	1850kg	2000kg	1300kg	6000kg

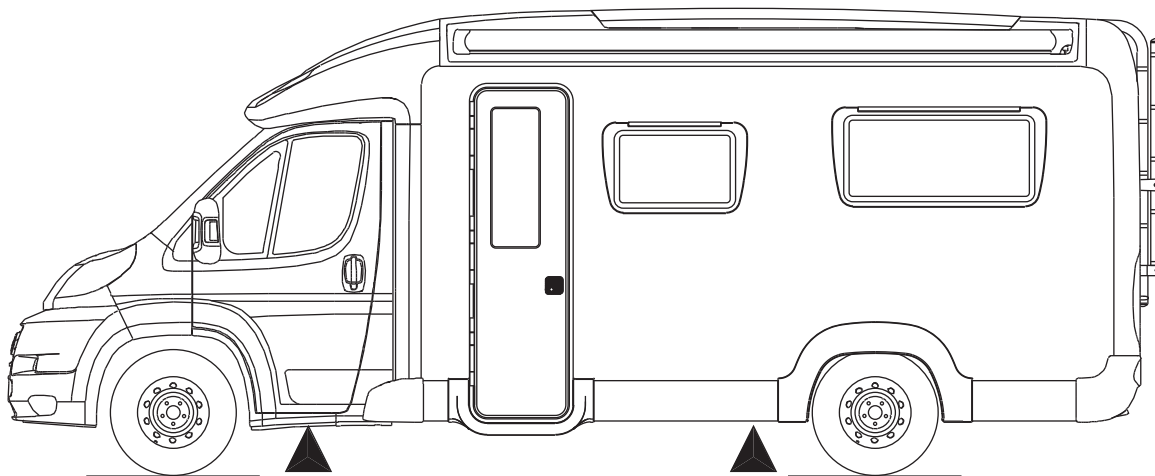
To ensure adequate road holding, the load on the front axle, under all conditions, must not be less than 40% or more than 70% of the total weight.

Care must be taken when distributing loads. The loadings above are maximum loadings and must not be exceeded under any circumstances.

CAUTION: When fitting a towbar, it must meet certain minimum requirements as specified by Type Approval Regulations. The bar will have marked on it the approval standard (94/20/EC) and the maximum download, or noseweight, that it can accept. It must fit the manufacturer's approved mounting points and must not obscure the towing vehicle's number plate.

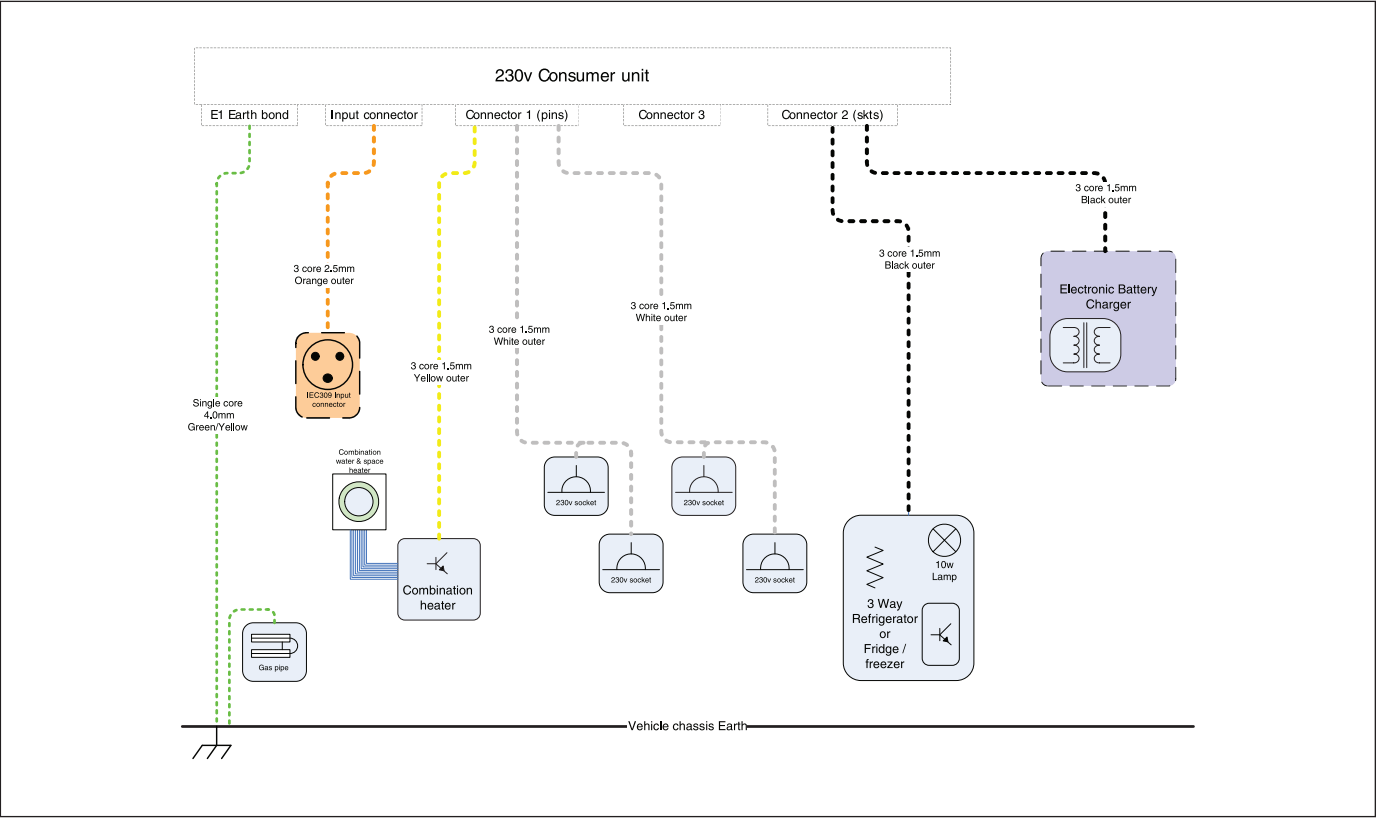
Jacking

BESSACARR E500



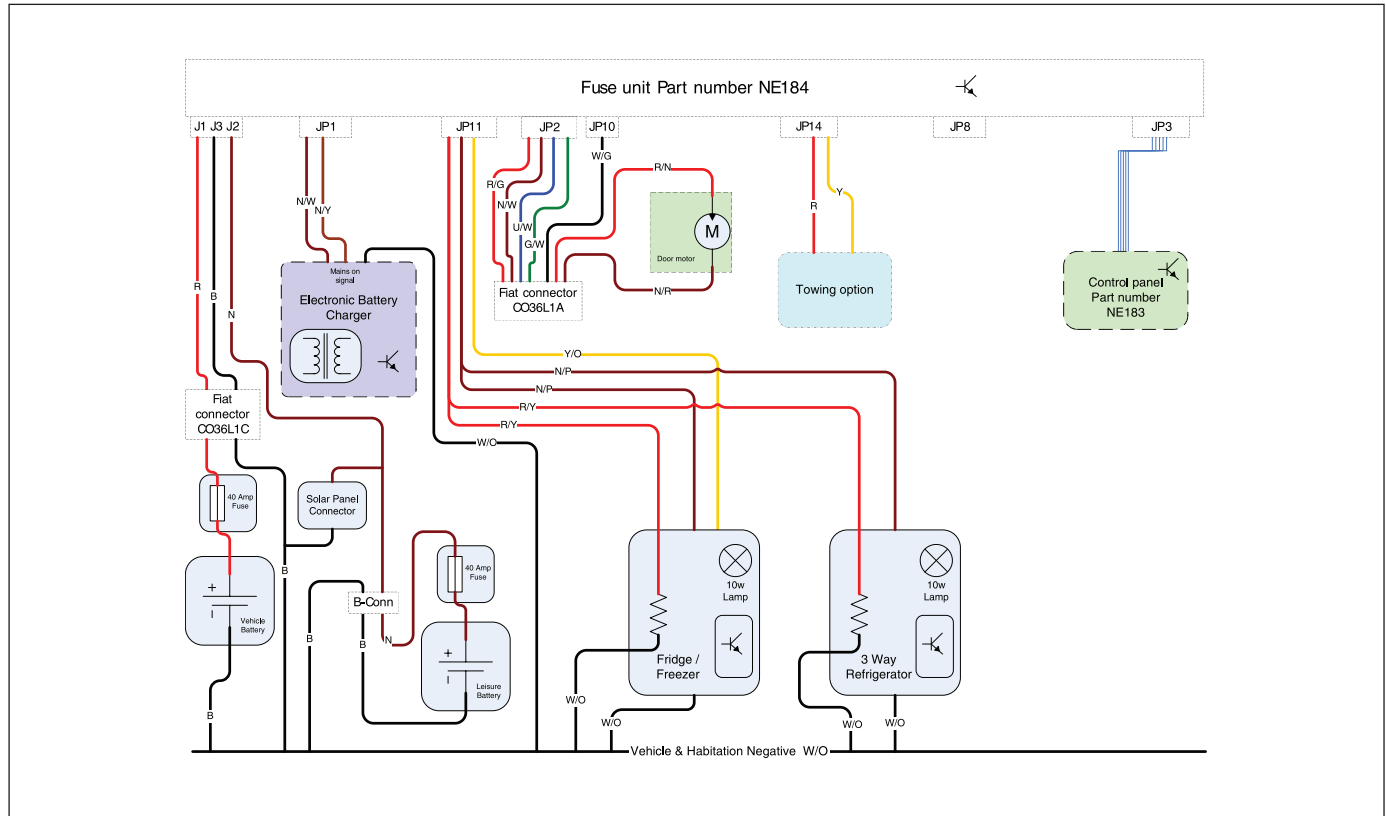
Jacking Points: ▲

BESSACARR E500 SERIES - 230V CIRCUITS

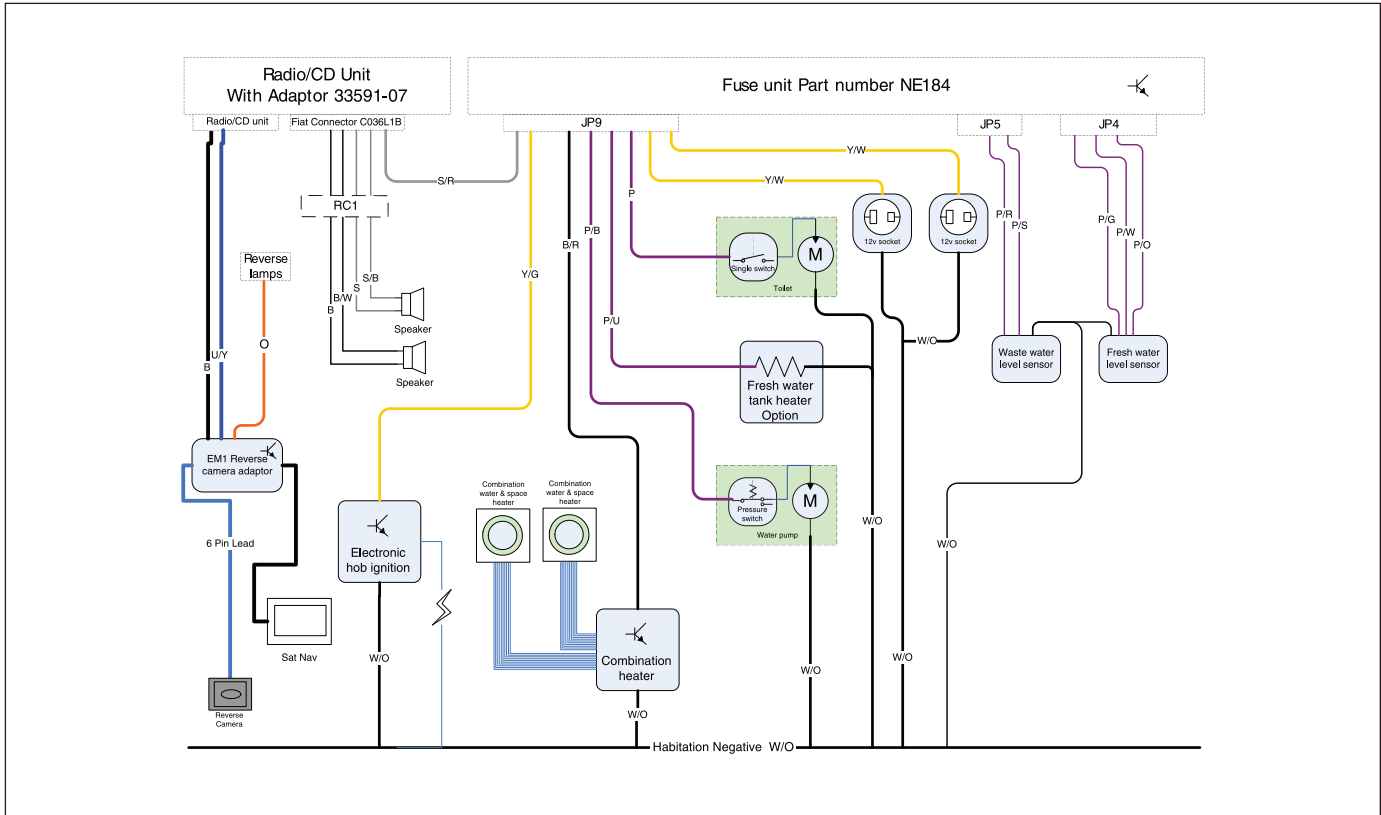


Wiring Diagrams

BESSACARR E500 SERIES - POWER CIRCUITS

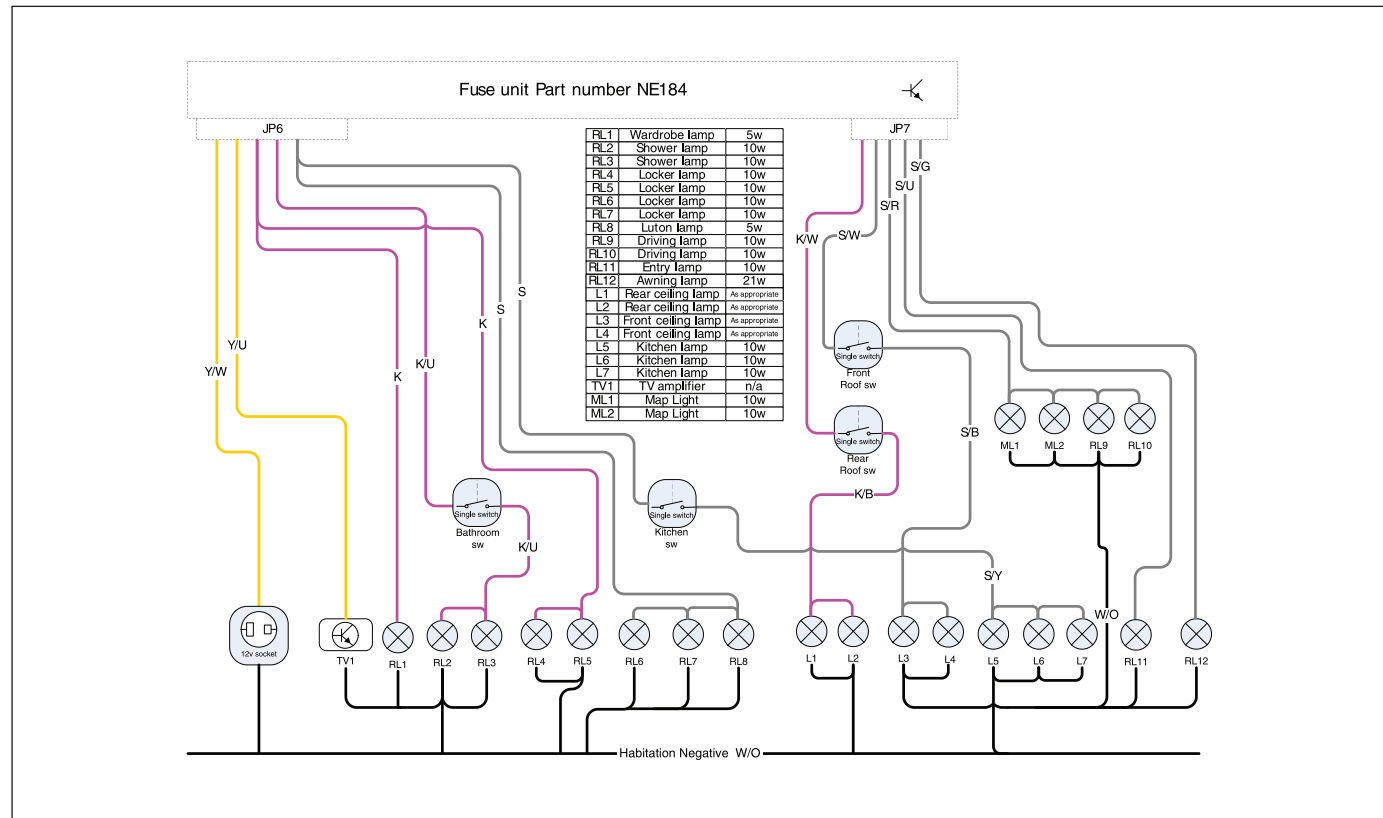


BESSACARR E500 SERIES - CONSUMER CIRCUITS – FLOOR

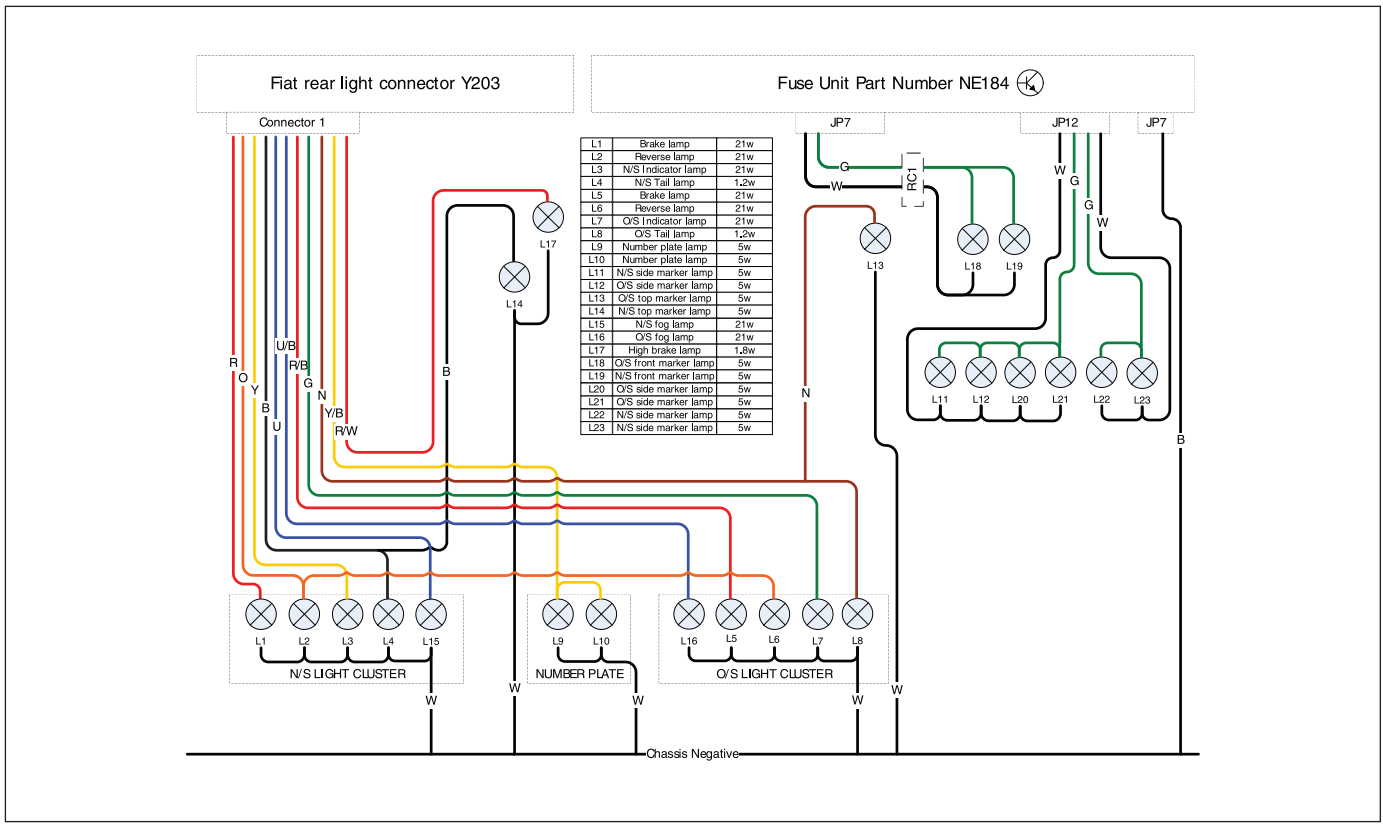


Wiring Diagrams

BESSACARR E500 SERIES - CONSUMER CIRCUITS - ROOF



BESSACARR E500 SERIES - ROAD LIGHTING



Wiring Diagrams

BESSACARR E500 SERIES - CABLE COLOUR CHART



12v Cable Colours

B	BLACK
N	BROWN
R	RED
O	ORANGE
Y	YELLOW
G	GREEN
U	BLUE
P	PURPLE
S	SLATE GREY
W	WHITE
K	PINK

230v Cable Colours

B	BLACK
N	BROWN
W	WHITE
O	ORANGE
Y	YELLOW
G	GREEN
U	BLUE

Bulb Replacement

BESSACARR E500 SERIES			
	Bulb Reference	Bulb Rating	
EXTERIOR LIGHTS			
Front marker light	W5W	12V 5W	
Side marker light	W5W	12V 5W	
Rear high level marker light	W5W	12V 5W	
High level stop lamp	T5/13.5	12V 2.3W	
Rear indicator lamp	PY21 Orange	12V 21W	
Rear stop / Tail lamp	PY21/5W	12V 21W / 5W	
Rear reverse lamp	P21	12V 21W	
Rear fog lamp	P21	12V 21W	
Number plate light	C5W	12V 5W	
INTERIOR LIGHTS			
Downlighters	Halogen capsule	G4 12V 10W	
Locker spotlights	GU4 / MR11 Dichroic	GU4 12V 10W	
Kitchen locker light	300mm Fluorescent	12V 8W	
Panel mounted fluorescent lamps	300mm Fluorescent	12V 13W	
Skylight surround fluorescent lamps	300mm Fluorescent	12V 8W	
B Pillar map reading lamps	GU4 / MR11 Dichroic	GU4 12V 10W	
Awning lamp	P21W	12V 21W	

Note: Not all lights and bulbs feature on all models within a range