



Individually styled
Beautifully built

BESSACARR MOTORHOMES

Dunswell Road, Cottingham, East Yorkshire HU16 4JX.

Tel: 01482 875740 Fax: 01482 840082

email: enquiry@swiftleisure.co.uk

website: www.bessacarrmotorhomes.co.uk

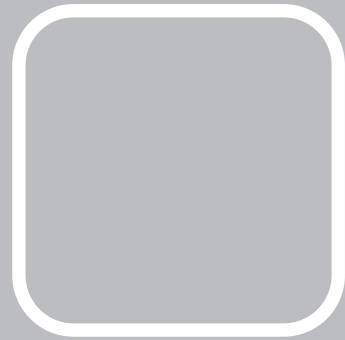
A MEMBER OF THE SWIFT GROUP

1080933 issued October 2007

bessacarrmotorhomes

E500 Compact Series specification, wiring diagrams & bulb chart





CONTENTS

Standard Specifications.....	2
Optional Specifications.....	3
Capacities	4
Towing Capabilities	5
Jacking.....	6
Wiring Diagrams.....	7
Bulb Replacement	13

Standard Specifications

MODEL	Bessacarr E510 Compact
Engine	Fiat '100 MultiJet' diesel
Engine Capacity	2198cc
Engine Power	100bhp @ 2900rpm
Engine Torque	250Nm @ 1500rpm
Chassis	Fiat special low line
Wheel base	3.00m/9'10"
Designated Passenger Seats	1
Berths (sleeping positions)	2
Overall Length (no ladder)*	5.90m/19'4"
Overall Width (mirrors folded)	2.27m/2.31m/7'5"/7'7" #
Overall Height (inc. TV aerial)	2.79m/9'2"
Maximum Technical Permissible Laden Mass (A)	3300kg
Mass in Running Order (B)	2785kg
Maximum User Payload (A-B)	515kg
Essential Habitation Equipment	10kg
Maximum recommended trailer weight	1090kg
Thermal Insulation Grade	Three
BED SIZES	
Front Double	2.06m x 1.38m/1.24m/6'9" x 4'6"/4'1"
Front Nearside Single	1.93m x 0.71m/6'4" x 2'4"
Front Offside Single	1.78m x 0.71m/5'10" x 2'4"

- NOTE:**
- The **Maximum User Payload** includes:
 - the **conventional load** (this is the allowance for passengers)
 - essential habitation equipment** (items and fluids required for safe and proper functioning of habitation equipment)
 - optional equipment** (items available from the manufacturer over and above the standard specification)
 - personal effects** (those items not covered by the above)
 - The **Mass in Running Order** is the mass of the unladen vehicle including a 75kg allowance for the driver plus engine coolants and 90% of the fuel tank, water tank and gas capacity.
 - PLEASE TAKE CARE TO ENSURE THAT YOU HAVE ALLOWED FOR THE MASSES OF ALL ITEMS YOU INTEND TO CARRY IN THE MOTOR CARAVAN,**
e.g. passengers, optional equipment, essential habitation equipment and personal effects, such as clothing, food, pets, bicycles, sailboards, sports equipment etc.
 - WARNING - UNDER NO CIRCUMSTANCES SHOULD THE MAXIMUM TECHNICAL PERMISSIBLE LADEN MASS OF THIS MOTOR CARAVAN BE EXCEEDED.**
- * For optional roof ladder (add 100mm)
2.27m without awning, 2.31m with awning

Optional Specifications

MODEL	Bessacarr E510 Compact
Engine	Fiat '130 MultiJet' diesel
Engine Capacity	2287cc
Engine Power	130bhp @ 3600rpm
Engine Torque	320Nm @ 2000rpm
Chassis	Fiat special low line
Wheel base	3.00m/9'10"
Designated Passenger Seats	1
Berths (sleeping positions)	2
Overall Length (no ladder)*	5.90m/19'4"
Overall Width (mirrors folded)	2.27m/2.31m/7'5"/7'7" #
Overall Height (inc. TV aerial)	2.79m/9'2"
Maximum Technical Permissible Laden Mass (A)	3300kg
Mass in Running Order (B)	2800kg
Maximum User Payload (A-B)	500kg
Essential Habitation Equipment	10kg
Maximum recommended trailer weight	1360kg
Thermal Insulation Grade	Three
BED SIZES	
Front Double	2.06m x 1.38m/1.24m/6'9" x 4'6"/4'1"
Front Nearside Single	1.93m x 0.71m/6'4" x 2'4"
Front Offside Single	1.78m x 0.71m/5'10" x 2'4"

- NOTE:** 1. The **Maximum User Payload** includes:
- a) the **conventional load** (this is the allowance for passengers)
 - b) **essential habitation equipment** (items and fluids required for safe and proper functioning of habitation equipment)
 - c) **optional equipment** (items available from the manufacturer over and above the standard specification)
 - d) **personal effects** (those items not covered by the above)
2. The **Mass in Running Order** is the mass of the unladen vehicle including a 75kg allowance for the driver plus engine coolants and 90% of the fuel tank, water tank and gas capacity.
3. PLEASE TAKE CARE TO ENSURE THAT YOU HAVE ALLOWED FOR THE MASSES OF ALL ITEMS YOU INTEND TO CARRY IN THE MOTOR CARAVAN, e.g. passengers, optional equipment, essential habitation equipment and personal effects, such as clothing, food, pets, bicycles, sailboards, sports equipment etc.
4. **WARNING** - UNDER NO CIRCUMSTANCES SHOULD THE MAXIMUM TECHNICAL PERMISSIBLE LADEN MASS OF THIS MOTOR CARAVAN BE EXCEEDED.
- * For optional roof ladder (add 100mm)
- # 2.27m without awning, 2.31m with awning

Capacities

Water Tank Capacities

	Fresh Water Tank	Waste Water Tank	Water Heater	Toilet Tank (Flushing)
Bessacarr E500 Compact	90 litre	68 litre	10 litre	0 litre

Gas Capacities

	Capacity
Bessacarr E500	2 x 7kg

The above are recommended gas bottle sizes

NOTICE

For technical data on the base vehicle please refer to manufacturer's handbook

Towing Capabilities

E500 Towing Capabilities

Model	Engine / Chassis	MTPLM	Permissible Front Axle Load	Permissible Rear Axle Load	Recommended Maximum Trailer Weight	Gross Train Weight
Bessacarr E510	2.2L / SWB / ABS	3300kg	1750kg	1900kg	1090kg	5300kg
Bessacarr E510	2.3L / SWB / ABS	3300kg	1750kg	1900kg	1360kg	5800kg

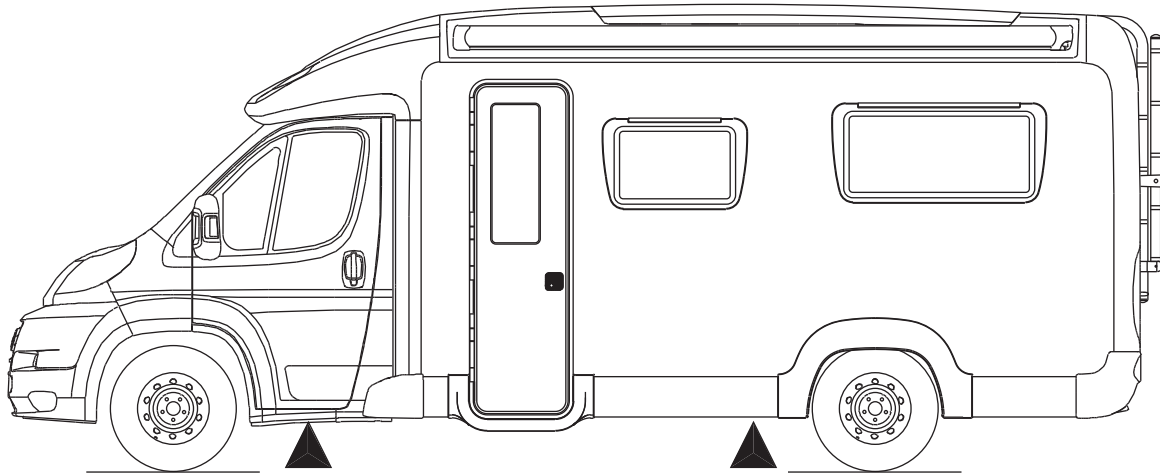
To ensure adequate road holding, the load on the front axle, under all conditions, must not be less than 40% or more than 70% of the total weight.

Care must be taken when distributing loads. The loadings above are maximum loadings and must not be exceeded under any circumstances.

CAUTION: When fitting a towbar, it must meet certain minimum requirements as specified by Type Approval Regulations. The bar will have marked on it the approval standard (94/20/EC) and the maximum download, or noseweight, that it can accept. It must fit the manufacturer's approved mounting points and must not obscure the towing vehicle's number plate.

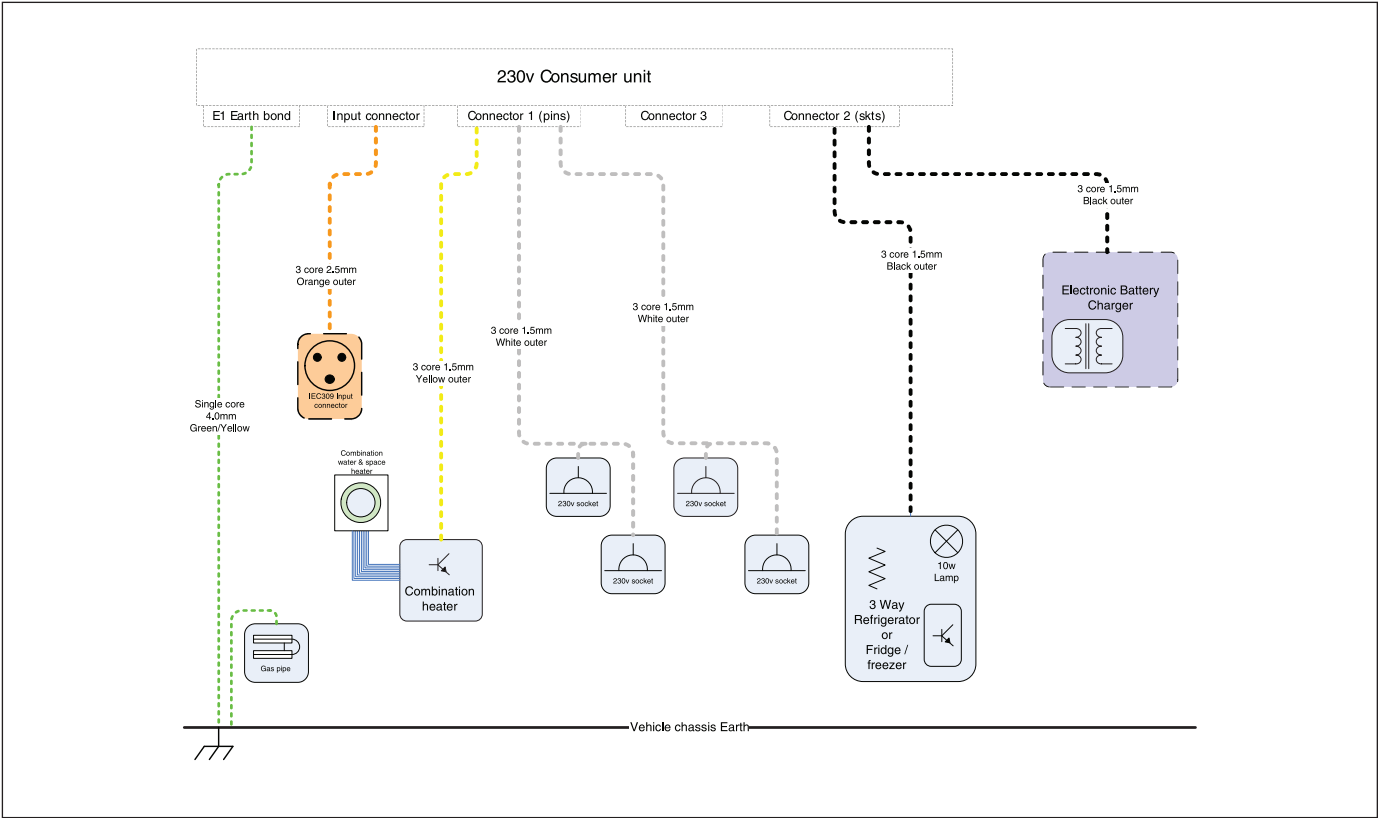
Jacking

BESSACARR E500



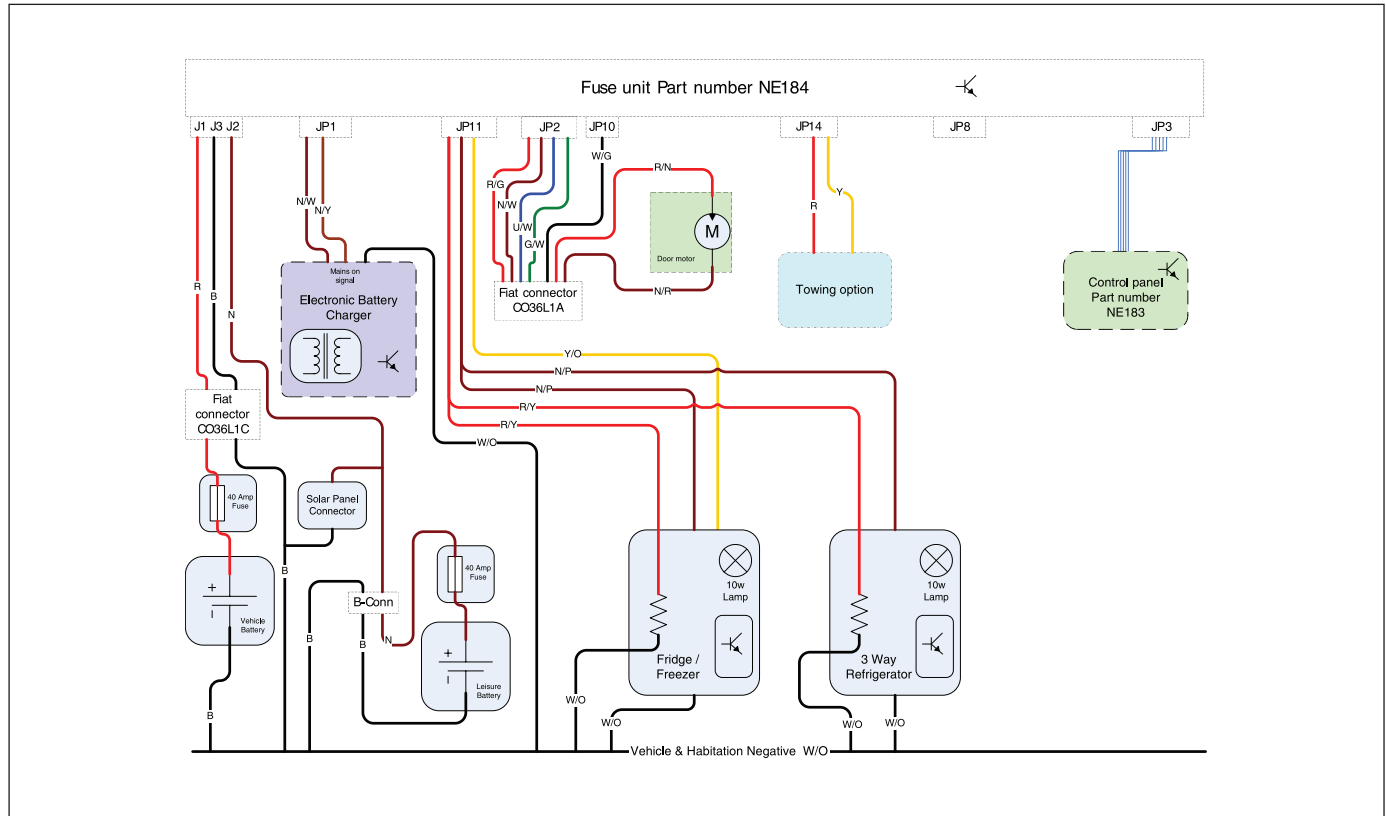
Jacking Points: ▲

BESSACARR E500 SERIES - 230V CIRCUITS

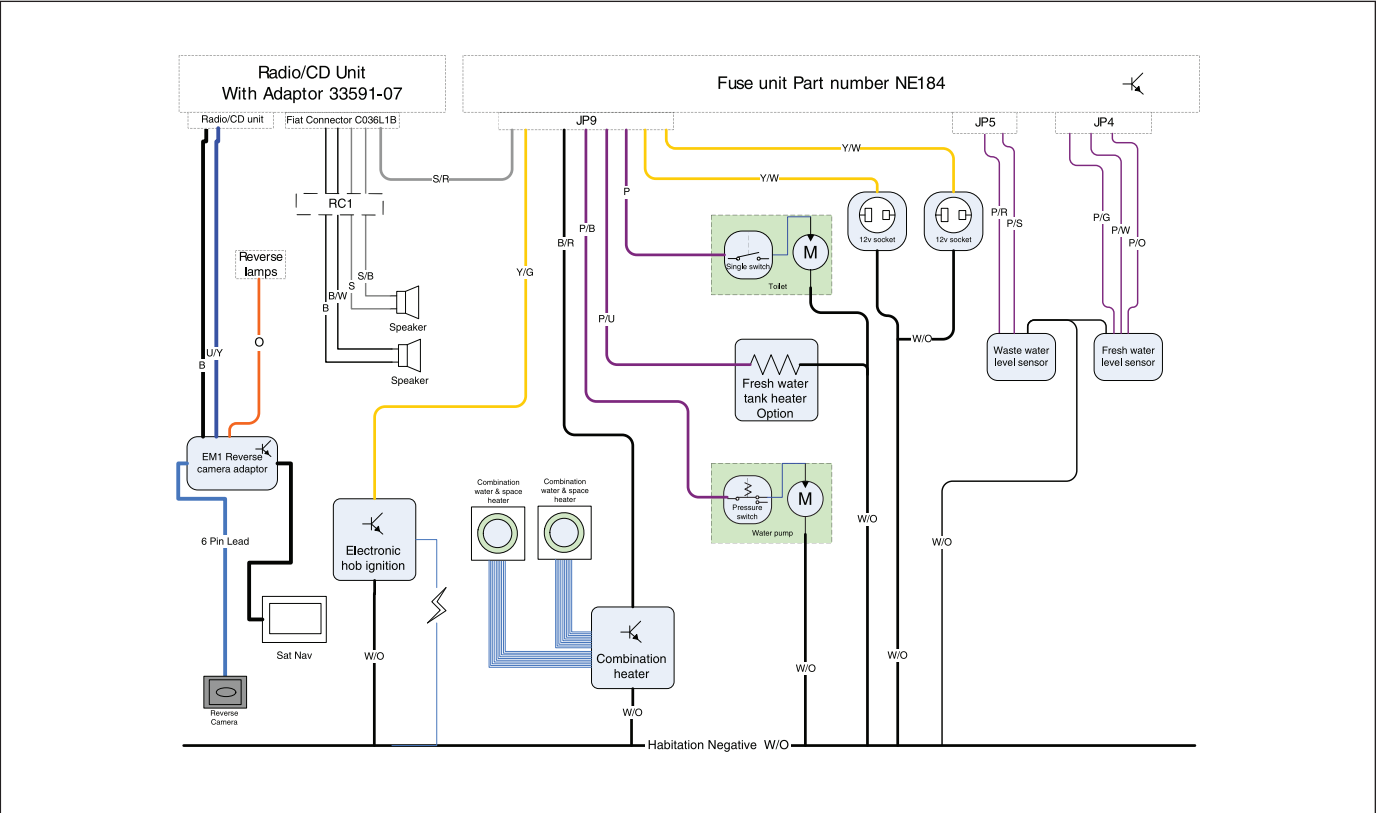


Wiring Diagrams

BESSACARR E500 SERIES - POWER CIRCUITS

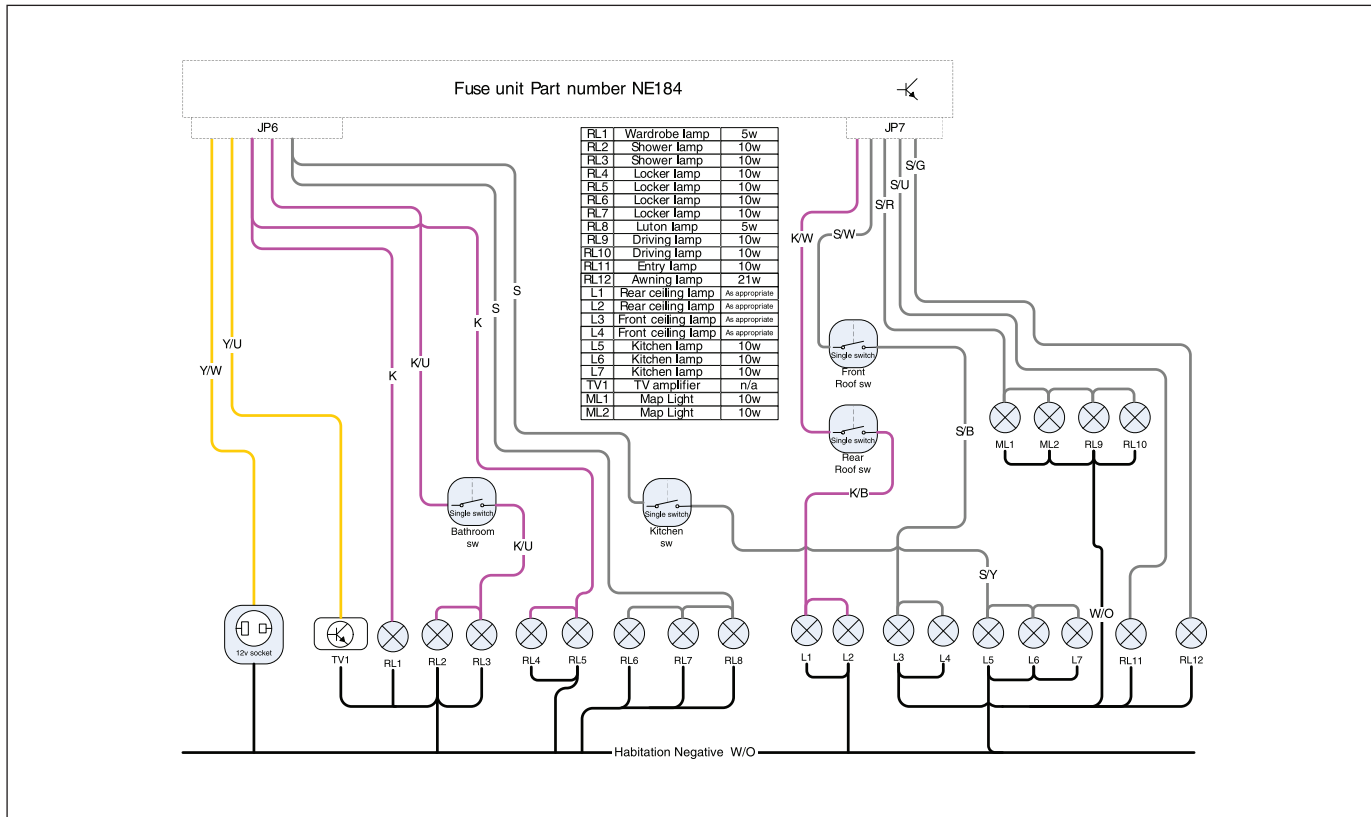


BESSACARR E500 SERIES - CONSUMER CIRCUITS – FLOOR

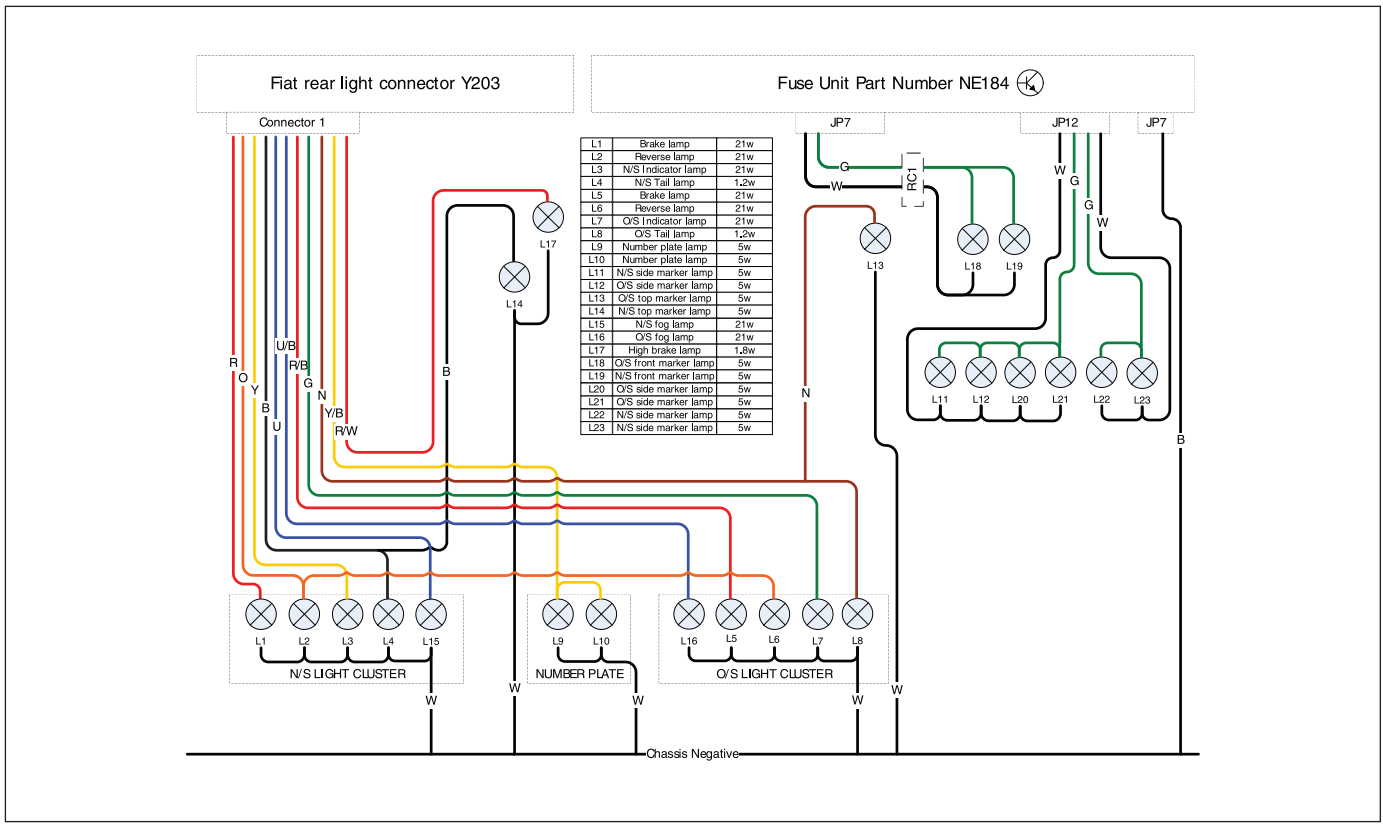


Wiring Diagrams

BESSACARR E500 SERIES - CONSUMER CIRCUITS - ROOF



BESSACARR E500 SERIES - ROAD LIGHTING



Wiring Diagrams

BESSACARR E500 SERIES - CABLE COLOUR CHART



12v Cable Colours

B	BLACK
N	BROWN
R	RED
O	ORANGE
Y	YELLOW
G	GREEN
U	BLUE
P	PURPLE
S	SLATE GREY
W	WHITE
K	PINK

230v Cable Colours

B	BLACK
N	BROWN
W	WHITE
O	ORANGE
Y	YELLOW
G	GREEN
U	BLUE

Bulb Replacement

BESSACARR E500 SERIES			
	Bulb Reference	Bulb Rating	
EXTERIOR LIGHTS			
Front marker light	W5W	12V 5W	
Side marker light	W5W	12V 5W	
Rear high level marker light	W5W	12V 5W	
High level stop lamp	T5/13.5	12V 2.3W	
Rear indicator lamp	PY21 Orange	12V 21W	
Rear stop / Tail lamp	PY21/5W	12V 21W / 5W	
Rear reverse lamp	P21	12V 21W	
Rear fog lamp	P21	12V 21W	
Number plate light	C5W	12V 5W	
INTERIOR LIGHTS			
Downlighters	Halogen capsule	G4 12V 10W	
Locker spotlights	GU4 / MR11 Dichroic	GU4 12V 10W	
Kitchen locker light	600mm Fluorescent	12V 13W	
Panel mounted fluorescent lamps	600mm Fluorescent	12V 13W	
Skylight surround fluorescent lamps	300mm Fluorescent	12V 8W	
B Pillar map reading lamps	GU4 / MR11 Dichroic	GU4 12V 10W	
Awning lamp	P21W	12V 21W	

Note: Not all lights and bulbs feature on all models within a range