



Quality with Style

**Swift Motorhomes**

Dunswell Road, Cottingham, East Yorkshire HU16 4JX.

Tel: 01482 875740 Fax: 01482 840082

email: [enquiry@swiftleisure.co.uk](mailto:enquiry@swiftleisure.co.uk)

**web site: [www.swiftmotorhomes.co.uk](http://www.swiftmotorhomes.co.uk)**

A MEMBER OF THE SWIFT GROUP

1080931 issued October 2007



# Swift

**Specification, wiring diagrams & bulb chart**

# Bolero Compact





# CONTENTS

Standard Specifications.....	2
Optional Specifications.....	3
Capacities .....	4
Towing Capabilities .....	5
Jacking.....	6
Wiring Diagrams.....	7
Bulb Replacement .....	13

# Standard Specifications

MODEL	Bolero 600 EK Compact
Engine	Fiat '100 MultiJet' diesel
Engine Capacity	2198cc
Engine Power	100bhp @ 2900rpm
Engine Torque	250Nm @ 1500rpm
Chassis	Fiat special low line
Wheel base	3.00m/9'10"
Designated Passenger Seats	1
Berths (sleeping positions)	2
Overall Length (no ladder)*	5.90m/19'4"
Overall Width (mirrors folded)	2.27m/2.31m/7'5"/7'7" #
Overall Height (inc. TV aerial)	2.79m/9'2"
Maximum Technical Permissible Laden Mass (A)	3300kg
Mass in Running Order (B)	2775kg
Maximum User Payload (A-B)	525kg
Essential Habitation Equipment	10kg
Maximum recommended trailer weight	1090kg
Thermal Insulation Grade	Three
<b>BED SIZES</b>	
Front Double	2.06m x 1.38m/1.24m/6'9" x 4'6"/4'1"
Front Nearside Single	1.93m x 0.71m/6'4" x 2'4"
Front Offside Single	1.78m x 0.71m/5'10" x 2'4"

- NOTE:** 1. The **Maximum User Payload** includes: a) the **conventional load** (this is the allowance for passengers)  
b) **essential habitation equipment** (items and fluids required for safe and proper functioning of habitation equipment)  
c) **optional equipment** (items available from the manufacturer over and above the standard specification)  
d) **personal effects** (those items not covered by the above)
2. The **Mass in Running Order** is the mass of the unladen vehicle including a 75kg allowance for the driver plus engine coolants and 90% of the fuel tank, water tank and gas capacity.
3. PLEASE TAKE CARE TO ENSURE THAT YOU HAVE ALLOWED FOR THE MASSES OF ALL ITEMS YOU INTEND TO CARRY IN THE MOTOR CARAVAN, e.g. passengers, optional equipment, essential habitation equipment and personal effects, such as clothing, food, pets, bicycles, sailboards, sports equipment etc.
4. **WARNING** - UNDER NO CIRCUMSTANCES SHOULD THE MAXIMUM TECHNICAL PERMISSIBLE LADEN MASS OF THIS MOTOR CARAVAN BE EXCEEDED.
- \* For optional roof ladder (add 100mm)  
# 2.27m without awning, 2.31m with awning

## Optional Specifications

MODEL	Bolero 600 EK Compact
Engine	Fiat '130 MultiJet' diesel
Engine Capacity	2287cc
Engine Power	130bhp @ 3600rpm
Engine Torque	320Nm @ 2000rpm
Chassis	Fiat special low line
Wheel base	3.00m/9'10"
Designated Passenger Seats	1
Berths (sleeping positions)	2
Overall Length (no ladder)*	5.90m/19'4"
Overall Width (mirrors folded)	2.27m/2.31m/7'5"/7'7" #
Overall Height (inc. TV aerial)	2.79m/9'2"
Maximum Technical Permissible Laden Mass (A)	3300kg
Mass in Running Order (B)	2790kg
Maximum User Payload (A-B)	510kg
Essential Habitation Equipment	10kg
Maximum recommended trailer weight	1360kg
Thermal Insulation Grade	Three
<b>BED SIZES</b>	
Front Double	2.06m x 1.38m/1.24m/6'9" x 4'6"/4'1"
Front Nearside Single	1.93m x 0.71m/6'4" x 2'4"
Front Offside Single	1.78m x 0.71m/5'10" x 2'4"

- NOTE:** 1. The **Maximum User Payload** includes:
- a) the **conventional load** (this is the allowance for passengers)
  - b) **essential habitation equipment** (items and fluids required for safe and proper functioning of habitation equipment)
  - c) **optional equipment** (items available from the manufacturer over and above the standard specification)
  - d) **personal effects** (those items not covered by the above)
2. The **Mass in Running Order** is the mass of the unladen vehicle including a 75kg allowance for the driver plus engine coolants and 90% of the fuel tank, water tank and gas capacity.
3. PLEASE TAKE CARE TO ENSURE THAT YOU HAVE ALLOWED FOR THE MASSES OF ALL ITEMS YOU INTEND TO CARRY IN THE MOTOR CARAVAN,  
e.g. passengers, optional equipment, essential habitation equipment and personal effects, such as clothing, food, pets, bicycles, sailboards, sports equipment etc.
4. **WARNING** - UNDER NO CIRCUMSTANCES SHOULD THE MAXIMUM TECHNICAL PERMISSIBLE LADEN MASS OF THIS MOTOR CARAVAN BE EXCEEDED.
- \* For optional roof ladder (add 100mm)
- # 2.27m without awning, 2.31m with awning

# Capacities

## Water Tank Capacities

	<b>Fresh Water Tank</b>	<b>Waste Water Tank</b>	<b>Water Heater</b>	<b>Toilet Tank (Flushing)</b>
<b>Swift Bolero Compact</b>	90 litre	68 litre	10 litre	0 litre

## Gas Capacities

	<b>Capacity</b>
<b>Swift Bolero</b>	2 x 7kg

The above are recommended gas bottle sizes

## NOTICE

For technical data on the base vehicle please refer to manufacturer's handbook

# Towing Capabilities

## Bolero Towing Capabilities

Model	Engine / Chassis	MTPLM	Permissible Front Axle Load	Permissible Rear Axle Load	Recommended Maximum Trailer Weight	Gross Train Weight
Swift Bolero 600EK	2.2L / SWB / ABS	3300kg	1750kg	1900kg	1090kg	5300kg
Swift Bolero 600EK	2.3L / SWB / ABS	3300kg	1750kg	1900kg	1360kg	5800kg

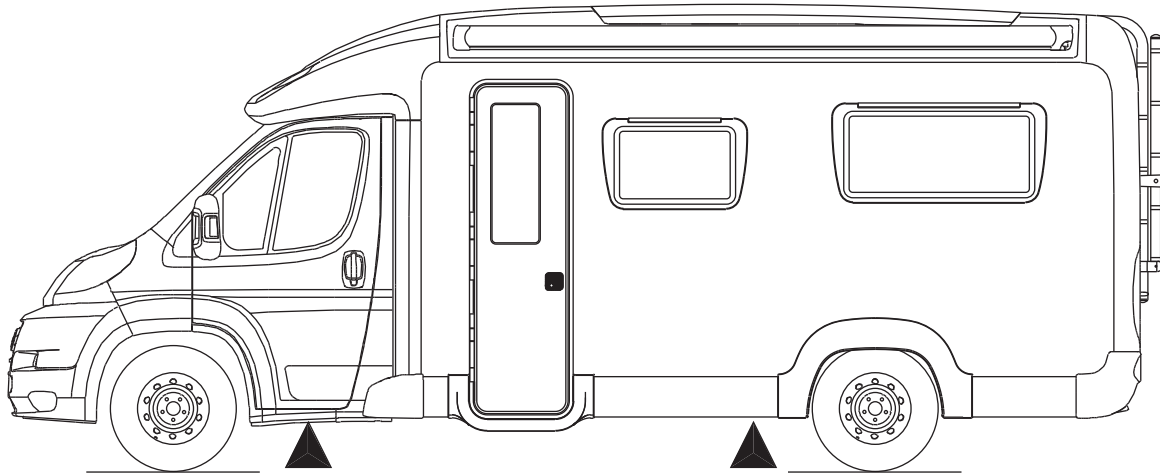
To ensure adequate road holding, the load on the front axle, under all conditions, must not be less than 40% or more than 70% of the total weight.

Care must be taken when distributing loads. The loadings above are maximum loadings and must not be exceeded under any circumstances.

**CAUTION:** When fitting a towbar, it must meet certain minimum requirements as specified by Type Approval Regulations. The bar will have marked on it the approval standard (94/20/EC) and the maximum download, or noseweight, that it can accept. It must fit the manufacturer's approved mounting points and must not obscure the towing vehicle's number plate.

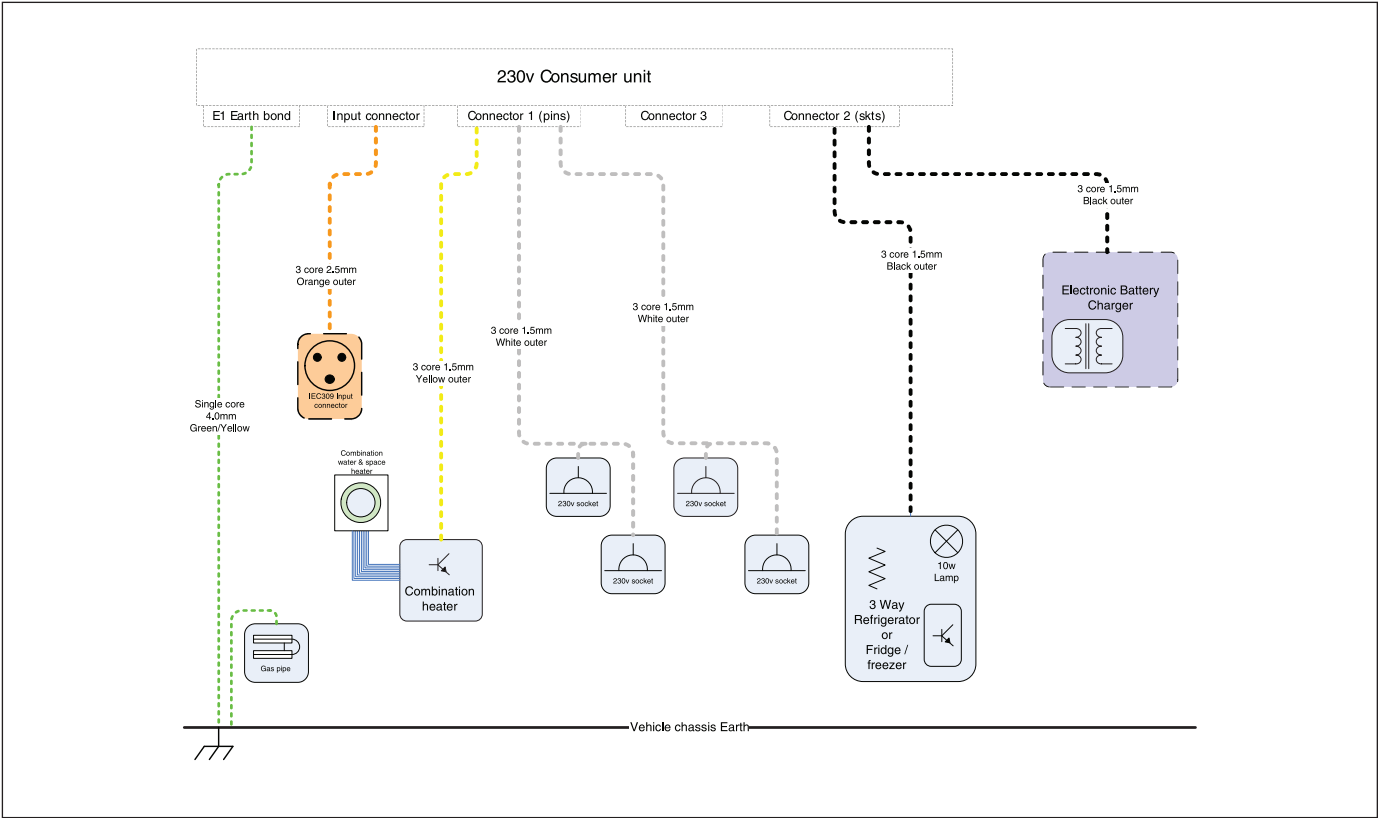
# Jacking

## SWIFT BOLERO



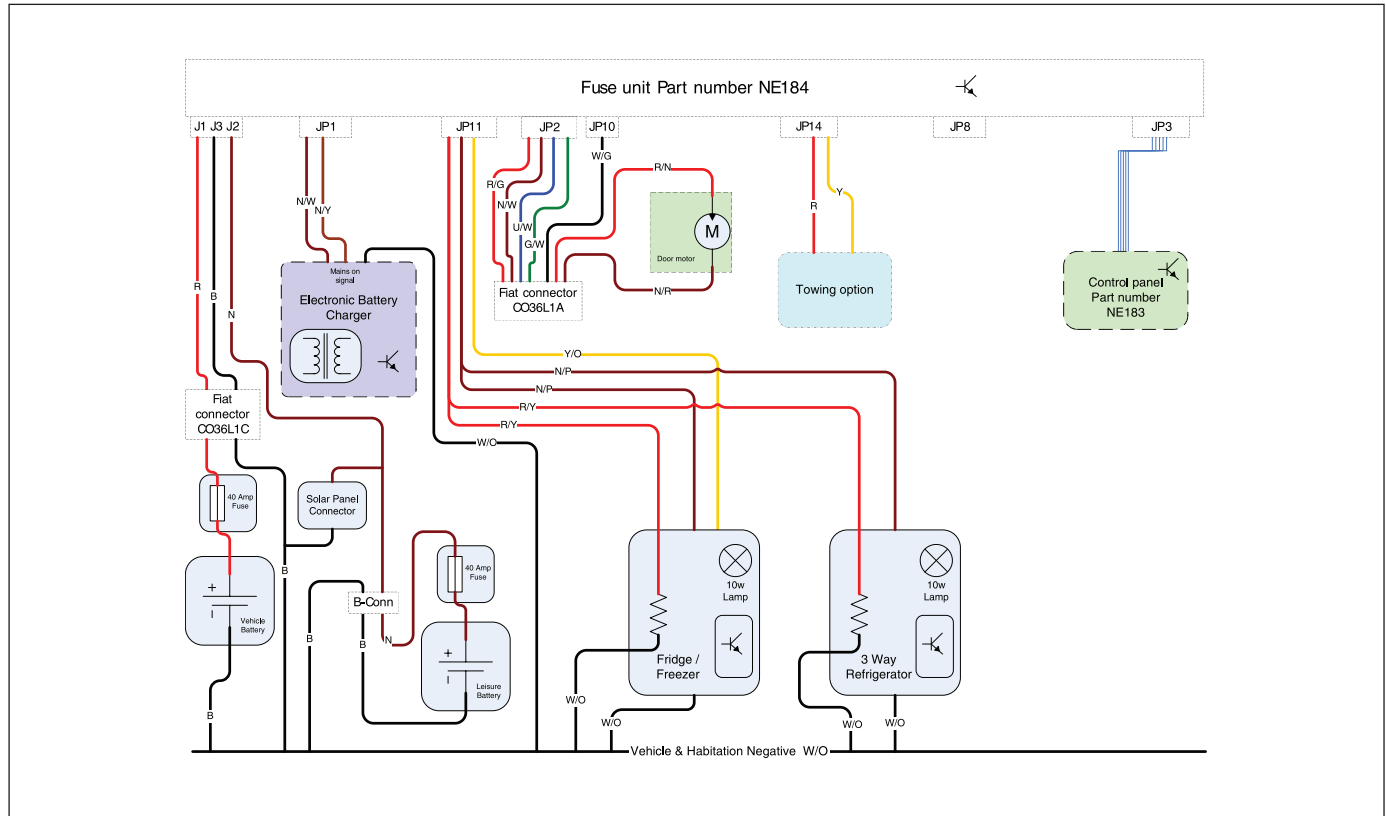
Jacking Points: ▲

## SWIFT BOLERO SERIES - 230V CIRCUITS

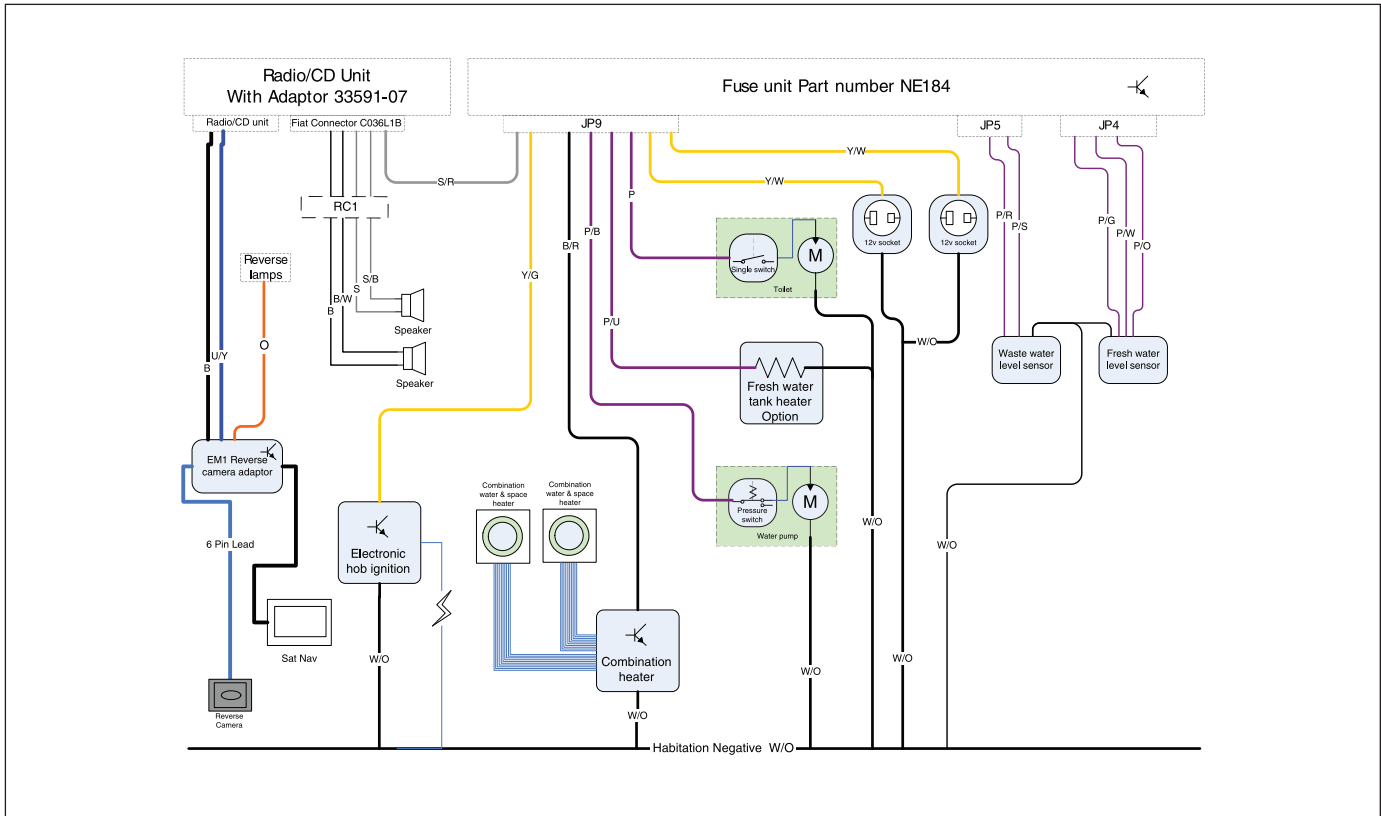


# Wiring Diagrams

## SWIFT BOLERO SERIES - POWER CIRCUITS

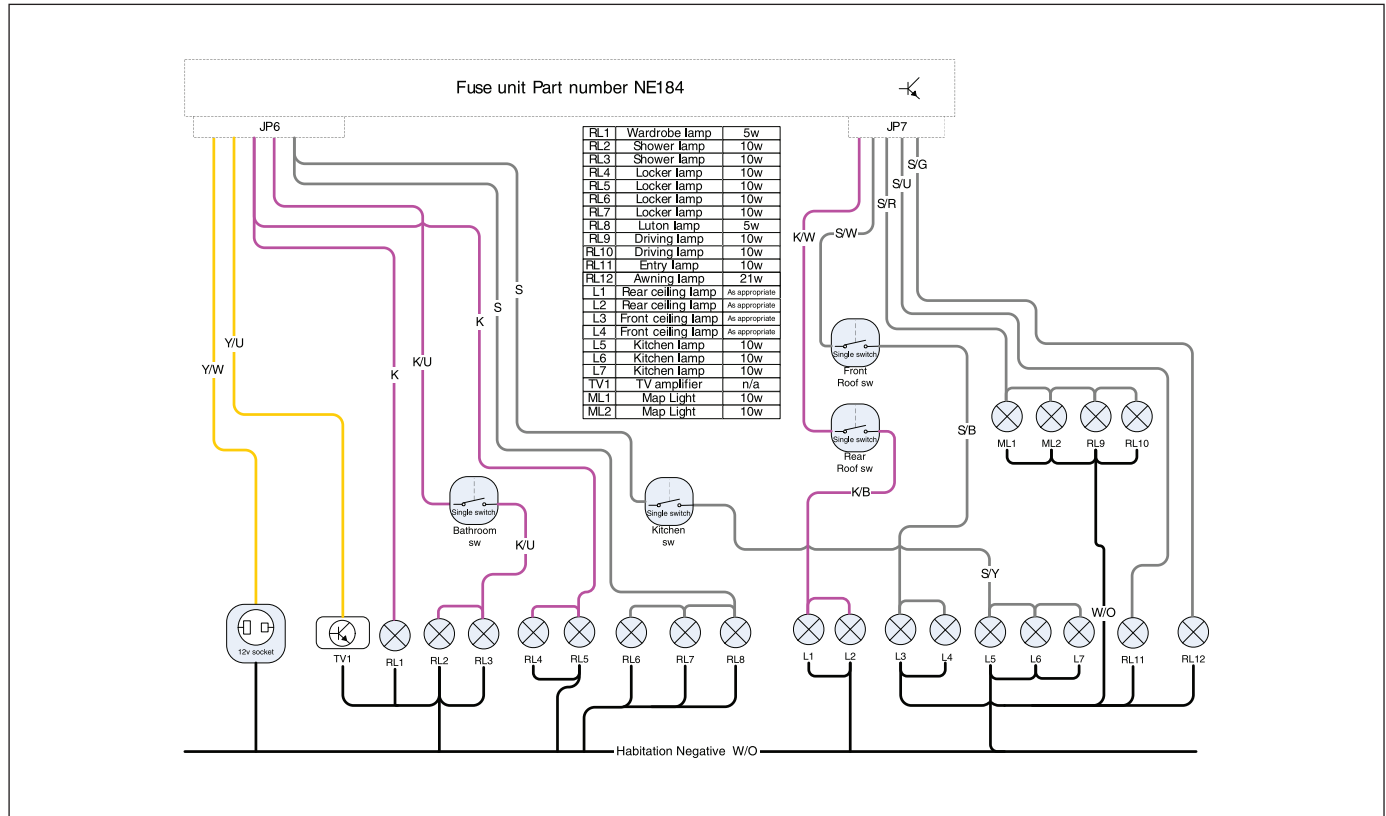


## SWIFT BOLERO SERIES - CONSUMER CIRCUITS – FLOOR

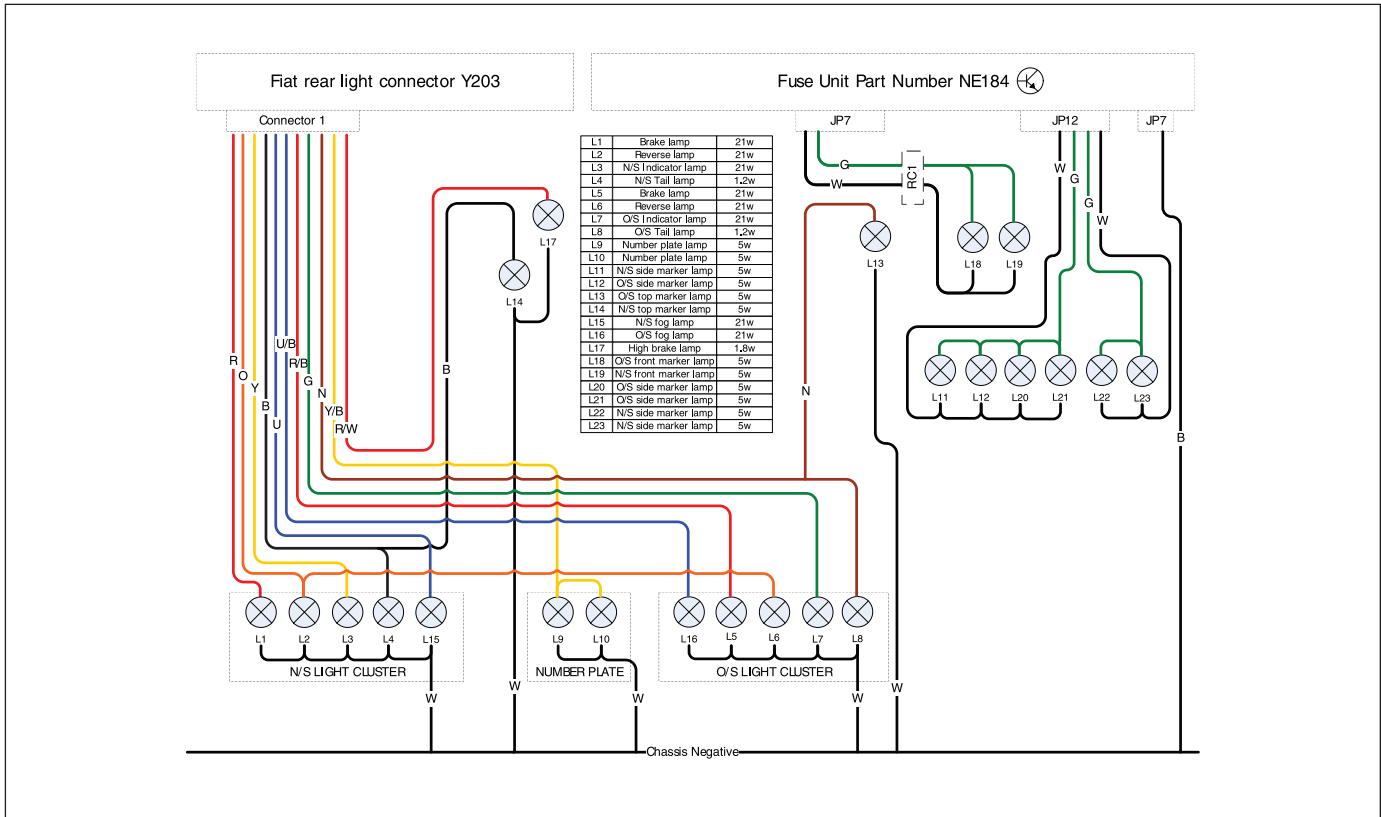


# Wiring Diagrams

## SWIFT BOLERO SERIES - CONSUMER CIRCUITS – ROOF



## SWIFT BOLERO SERIES - ROAD LIGHTING



# Wiring Diagrams

## SWIFT BOLERO SERIES - CABLE COLOUR CHART



### 12v Cable Colours

B	BLACK
N	BROWN
R	RED
O	ORANGE
Y	YELLOW
G	GREEN
U	BLUE
P	PURPLE
S	SLATE GREY
W	WHITE
K	PINK

### 230v Cable Colours

B	BLACK
N	BROWN
W	WHITE
O	ORANGE
Y	YELLOW
G	GREEN
U	BLUE

# Bulb Replacement

SWIFT BOLERO			
	Bulb Reference	Bulb Rating	
<b>EXTERIOR LIGHTS</b>			
Front marker light	W5W	12V 5W	
Side marker light	W5W	12V 5W	
Rear high level marker light	W5W	12V 5W	
High level stop lamp	T5/13.5	12V 2.3W	
Rear indicator lamp	PY21 Orange	12V 21W	
Rear stop / Tail lamp	PY21/5W	12V 21W / 5W	
Rear reverse lamp	P21	12V 21W	
Rear fog lamp	P21	12V 21W	
Number plate light	C5W	12V 5W	
<b>INTERIOR LIGHTS</b>			
Downlighters	Halogen capsule	G4 12V 10W	
Locker spotlights	GU4 / MR11 Dichroic	GU4 12V 10W	
Kitchen locker light	600mm Fluorescent	12V 13W	
Panel mounted fluorescent lamps	600mm Fluorescent	12V 13W	
Skylight surround fluorescent lamps	300mm Fluorescent	12V 8W	
B Pillar map reading lamps	GU4 / MR11 Dichroic	GU4 12V 10W	
Awning lamp	P21W	12V 21W	

Note: Not all lights and bulbs feature on all models within a range