



Enjoy the freedom

Ace Motorhomes

Dunswell Road, Cottingham, East Yorkshire HU16 4JX.

Tel: 01482 875740 Fax: 01482 840082

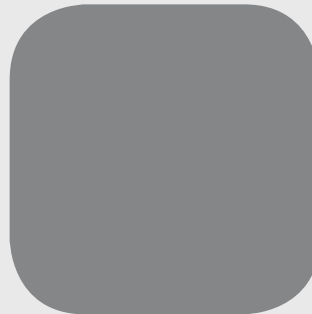
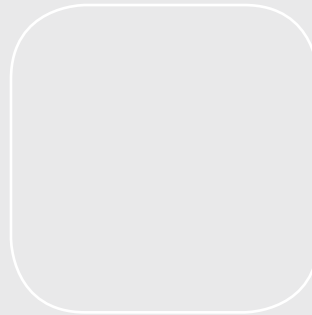
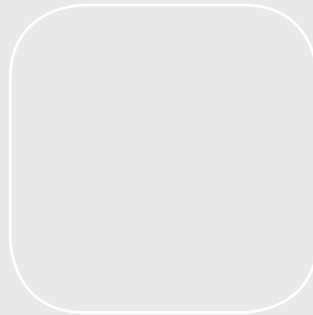
email: enquiry@swiftleisure.co.uk

website: www.acemotorhomes.co.uk

A MEMBER OF THE SWIFT GROUP



***SPECIFICATION, WIRING DIAGRAMS
AND BULB CHART***





CONTENTS

Standard Specifications	2
Optional Specifications	3
Capacities	4
Towing Capabilities	5
Jacking	6
Wiring Diagrams	7
Bulb Replacement	13

Standard Specifications

Model	Capri Low-Line	Siena Low-Line	Napoli High-Line	Milano High-Line	Roma High-Line	Firenze High-Line
Engine	Fiat '100 MultiJet' diesel	Fiat '100 MultiJet' diesel	Fiat '100 MultiJet' diesel	Fiat '100 MultiJet' diesel	Fiat '130 MultiJet' diesel	Fiat '130 MultiJet' diesel
Engine Capacity	2198cc	2198cc	2198cc	2198cc	2287cc	2287cc
Engine Power	100bhp @ 2900rpm	100bhp @ 2900rpm	100bhp @ 2900rpm	100bhp @ 2900rpm	130bhp @ 3600rpm	130bhp @ 3600rpm
Torque	250Nm @ 1500rpm	250Nm @ 1500rpm	250Nm @ 1500rpm	250Nm @ 1500rpm	320Nm @ 2000rpm	320Nm @ 2000rpm
Chassis	Fiat chassis-cab	Fiat chassis-cab	Fiat chassis-cab	Fiat chassis-cab	Fiat chassis-cab	Fiat chassis-cab
Wheel base	3.00m/9'10"	3.45m/11'4"	3.45m/11'4"	3.45m/11'4"	3.80m/12'6"	4.04m/13'3"
Designated Passenger Seats	1	1	1	3	3	5
Berths (sleeping positions)	2	2	4	5	4	6
Overall Length (no ladder)*	5.75m/18'10"	6.32m/20'9"	6.32m/20'9"	6.32m/20'9"	7.13m/23'5"	7.34m/24'1"
Overall Width (mirrors folded)	2.24m/7'4"	2.24m/7'4"	2.24m/7'4"	2.24m/7'4"	2.24m/7'4"	2.24m/7'4"
Overall Height	2.96m/9'9"	2.96m/9'9"	3.05m/10'0"	3.05m/10'0"	3.05m/10'0"	3.05m/10'0"
Maximum Technical Permissible Laden Mass (A)	3300kg	3500kg	3500kg	3500kg	4005kg	4005kg
Mass in Running Order (B)†	2760kg	2855kg	2945kg	2990kg	3245kg	3310kg
Maximum User Payload (A-B)	540kg	645kg	555kg	510kg	760kg	695kg
Essential Habitation Equipment	10kg	10kg	10kg	10kg	10kg	10kg
Thermal Insulation Grade	(TWO)	(TWO)	(TWO)	(TWO)	(TWO)	(TWO)
Bed Sizes						
Front Double	2.09m x 1.33m/6'10" x 4'4"			1.88m x 1.23m/6'2" x 4'0"		1.88m x 1.23m/6'2" x 4'0"
Front Nearside Single				1.88m x 0.66m/6'2" x 2'2"		
Front Offside Single				1.88m x 0.90m/6'2" x 2'11"		1.88m x 0.90m/6'2" x 2'11"
Rear Double		2.09m x 1.86m/6'10" x 6'1"	2.09m x 1.39m/6'10" x 4'7"		1.93m x 1.32m/6'4" x 4'4"	2.09m x 1.86m/6'10" x 6'1"
Rear Nearside Single		1.87m x 0.68m/6'2" x 2'3"				1.87m x 0.68m/6'2" x 2'3"
Rear Offside Single		1.86m x 0.68m/6'1" x 2'3"				1.86m x 0.68m/6'1" x 2'3"
Overcab Bed			1.91m x 1.37m/6'3" x 4'6"	1.91m x 1.37m/6'3" x 4'6"	1.91m x 1.37m/6'3" x 4'6"	1.91m x 1.37m/6'3" x 4'6"

- NOTE:**
- The **Maximum User Payload** includes:
 - the **conventional load** (this is the allowance for passengers)
 - essential habitation equipment** (items and fluids required for safe and proper functioning of habitation equipment)
 - optional equipment** (items available from the manufacturer over and above the standard specification)
 - personal effects** (those items not covered by the above)
 - The **Mass in Running Order** is the mass of the unladen vehicle including a 75kg allowance for the driver plus engine coolants and 90% of the fuel tank, water tank and gas capacity.
 - PLEASE TAKE CARE TO ENSURE THAT YOU HAVE ALLOWED FOR THE MASSES OF ALL ITEMS YOU INTEND TO CARRY IN THE MOTOR CARAVAN,**
e.g. passengers, optional equipment, essential habitation equipment and personal effects, such as clothing, food, pets, bicycles, sailboards, sports equipment etc.
 - WARNING - UNDER NO CIRCUMSTANCES SHOULD THE MAXIMUM TECHNICAL PERMISSIBLE LADEN MASS OF THIS MOTOR CARAVAN BE EXCEEDED.**
* For optional roof ladder (add 200mm).

Optional Specifications

Model	Siena Low-Line	Napoli High-Line	Milano High-Line
Engine	Fiat '130 MultiJet' diesel	Fiat '130 MultiJet' diesel	Fiat '130 MultiJet' diesel
Engine Capacity	2287cc	2287cc	2287cc
Engine Power	130bhp @ 3600rpm	130bhp @ 3600rpm	130bhp @ 3600rpm
Torque	320Nm @ 2000rpm	320Nm @ 2000rpm	320Nm @ 2000rpm
Chassis	Fiat chassis-cab	Fiat chassis-cab	Fiat chassis-cab
Wheel base	3.45m/11'4"	3.45m/11'4"	3.45m/11'4"
Designated Passenger Seats	1	1	3
Berths (sleeping positions)	2	4	5
Overall Length (no ladder)*	6.32m/20'9"	6.32m/20'9"	6.32m/20'9"
Overall Width (mirrors folded)	2.24m/7'4"	2.24m/7'4"	2.24m/7'4"
Overall Height	2.96m/9'9"	3.05m/10'0"	3.05m/10'0"
Maximum Technical Permissible Laden Mass (A)	3500kg	3500kg	3500kg
Mass in Running Order (B)†	2870kg	2960kg	3005kg
Maximum User Payload (A-B)	630kg	540kg	495kg
Essential Habitation Equipment	10kg	10kg	10kg
Thermal Insulation Grade	(TWO)	(TWO)	(TWO)
Bed Sizes			
Front Double			1.88m x 1.23m/6'2" x 4'0"
Front Nearside Single			1.88m x 0.66m/6'2" x 2'2"
Front Offside Single			1.88m x 0.90m/6'2" x 2'11"
Rear Double	2.09m x 1.86m/6'10" x 6'1"	2.09m x 1.39m/6'10" x 4'7"	
Rear Nearside Single	1.87m x 0.68m/6'2" x 2'3"		
Rear Offside Single	1.86m x 0.68m/6'1" x 2'3"		
Overcab Bed		1.91m x 1.37m/6'3" x 4'6"	1.91m x 1.37m/6'3" x 4'6"

- NOTE:** 1. **The Maximum User Payload** includes:
- a) the **conventional load** (this is the allowance for passengers)
 - b) **essential habitation equipment** (items and fluids required for safe and proper functioning of habitation equipment)
 - c) **optional equipment** (items available from the manufacturer over and above the standard specification)
 - d) **personal effects** (those items not covered by the above)
2. **The Mass in Running Order** is the mass of the unladen vehicle including a 75kg allowance for the driver plus engine coolants and 90% of the fuel tank, water tank and gas capacity.
3. **PLEASE TAKE CARE TO ENSURE THAT YOU HAVE ALLOWED FOR THE MASSES OF ALL ITEMS YOU INTEND TO CARRY IN THE MOTOR CARAVAN,**
e.g. passengers, optional equipment, essential habitation equipment and personal effects, such as clothing, food, pets, bicycles, sailboards, sports equipment etc.
4. **WARNING - UNDER NO CIRCUMSTANCES SHOULD THE MAXIMUM TECHNICAL PERMISSIBLE LADEN MASS OF THIS MOTOR CARAVAN BE EXCEEDED.**
- * For optional roof ladder (add 200mm).

Capacities

Water Tank Capacities

	Fresh Water Tank	Waste Water Tank	Water Heater	Toilet Tank (Flushing)
Ace	90 litre	68 litre	10 litre	0 litre

Gas Capacities

	Capacity
Ace	2 x 7kg

The above are recommended gas bottle sizes

NOTICE

For technical data on the base vehicle please refer to manufacturer's handbook

Ace Towing Capabilities

Model	Engine / Chassis	MTPLM	Permissible Front Axle Load	Permissible Rear Axle Load	Recommended Maximum Trailer Weight	Gross Train Weight
Ace Capri	2.2L / SWB / ABS	3300kg	1750kg	1900kg	1175kg	5300kg
Ace Siena	2.2L / MWB / ABS	3500kg	1850kg	2000kg	1105kg	5500kg
Ace Siena	2.3L / MWB / ABS	3500kg	1850kg	2000kg	1380kg	6000kg
Ace Napoli	2.2L / MWB / ABS	3500kg	1850kg	2000kg	1105kg	5500kg
Ace Napoli	2.3L / MWB / ABS	3500kg	1850kg	2000kg	1380kg	6000kg
Ace Milano	2.2L / MWB / ABS	3500kg	1850kg	2000kg	1105kg	5500kg
Ace Milano	2.3L / MWB / ABS	3500kg	1850kg	2000kg	1380kg	6000kg
Ace Roma	2.3L / MLWB / ABS	4005kg	2100kg	2400kg	1085kg	6505kg
Ace Firenze	2.3L / LWB / ABS	4005kg	2100kg	2400kg	1155kg	6505kg

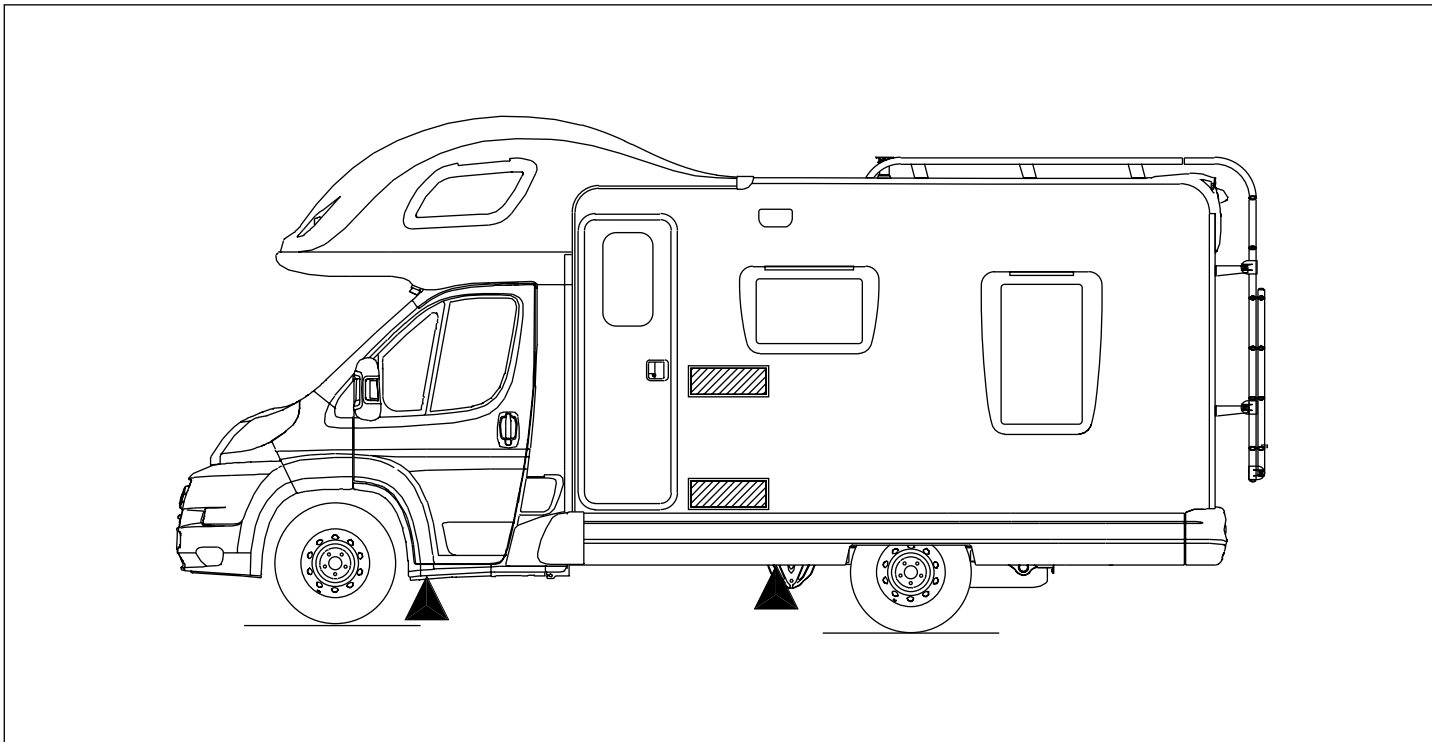
To ensure adequate road holding, the load on the front axle, under all conditions, must not be less than 40% or more than 70% of the total weight.

Care must be taken when distributing loads. The loadings above are maximum loadings and must not be exceeded under any circumstances.

CAUTION: When fitting a towbar, it must meet certain minimum requirements as specified by Type Approval Regulations. The bar will have marked on it the approval standard (94/20/EC) and the maximum download, or noseweight, that it can accept. It must fit the manufacturer's approved mounting points and must not obscure the towing vehicle's number plate.

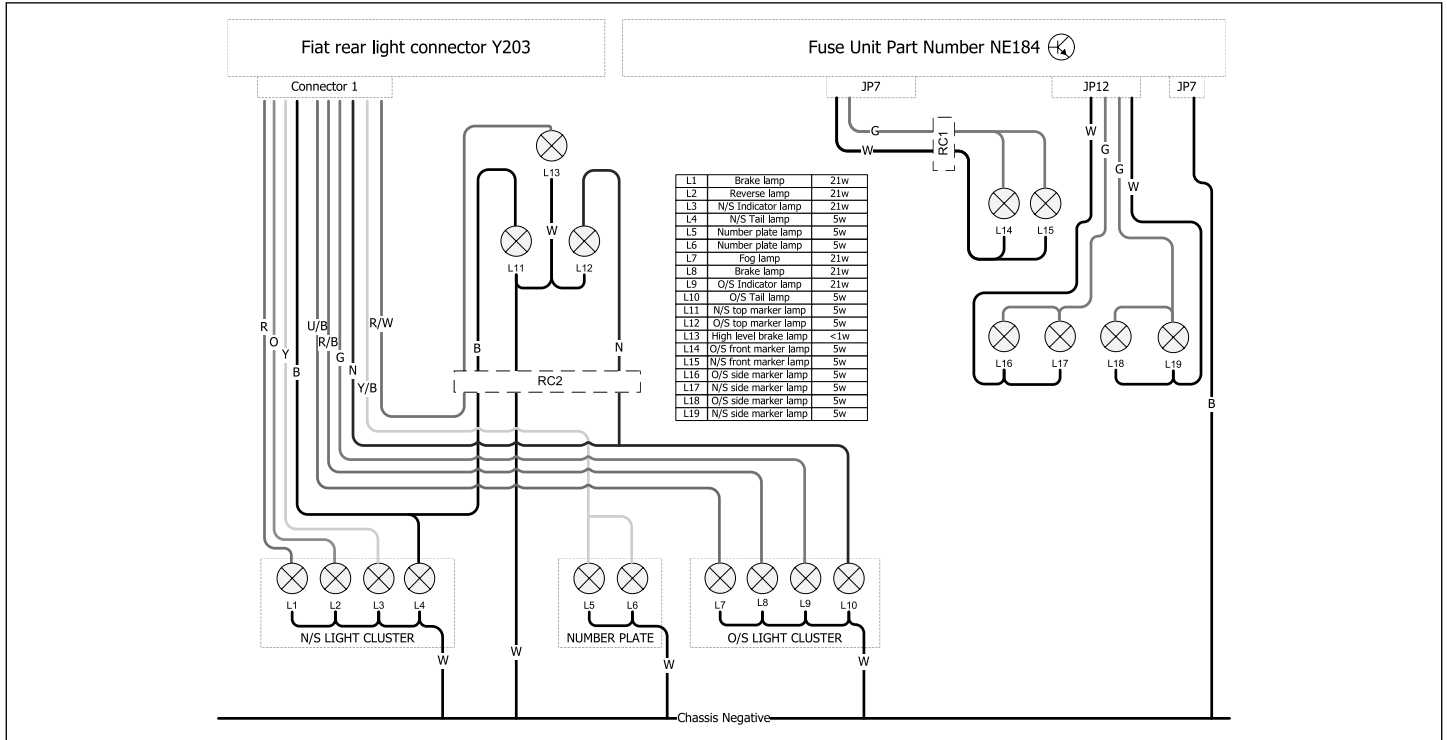
Jacking

ACE



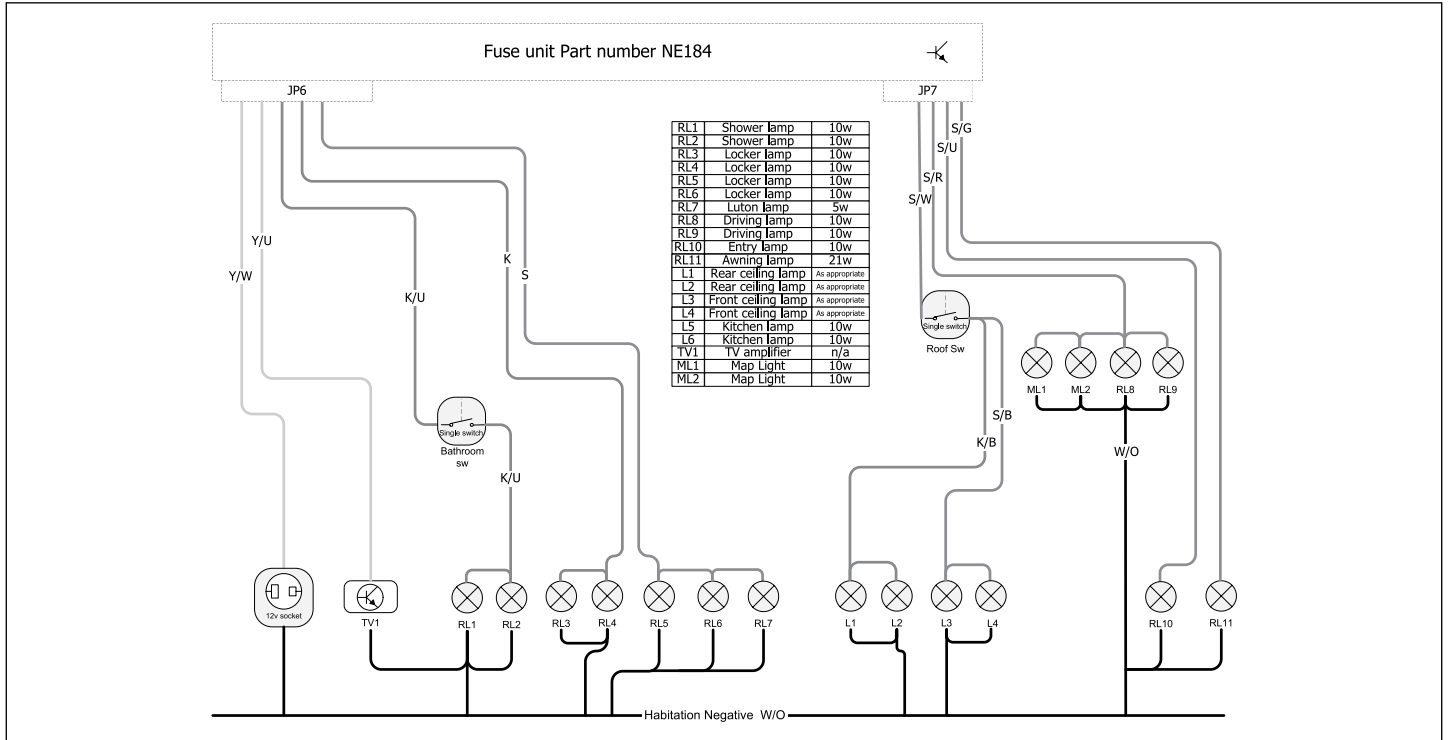
Jacking Points for High-Line and Low-Line: ▲

ROAD LIGHTING

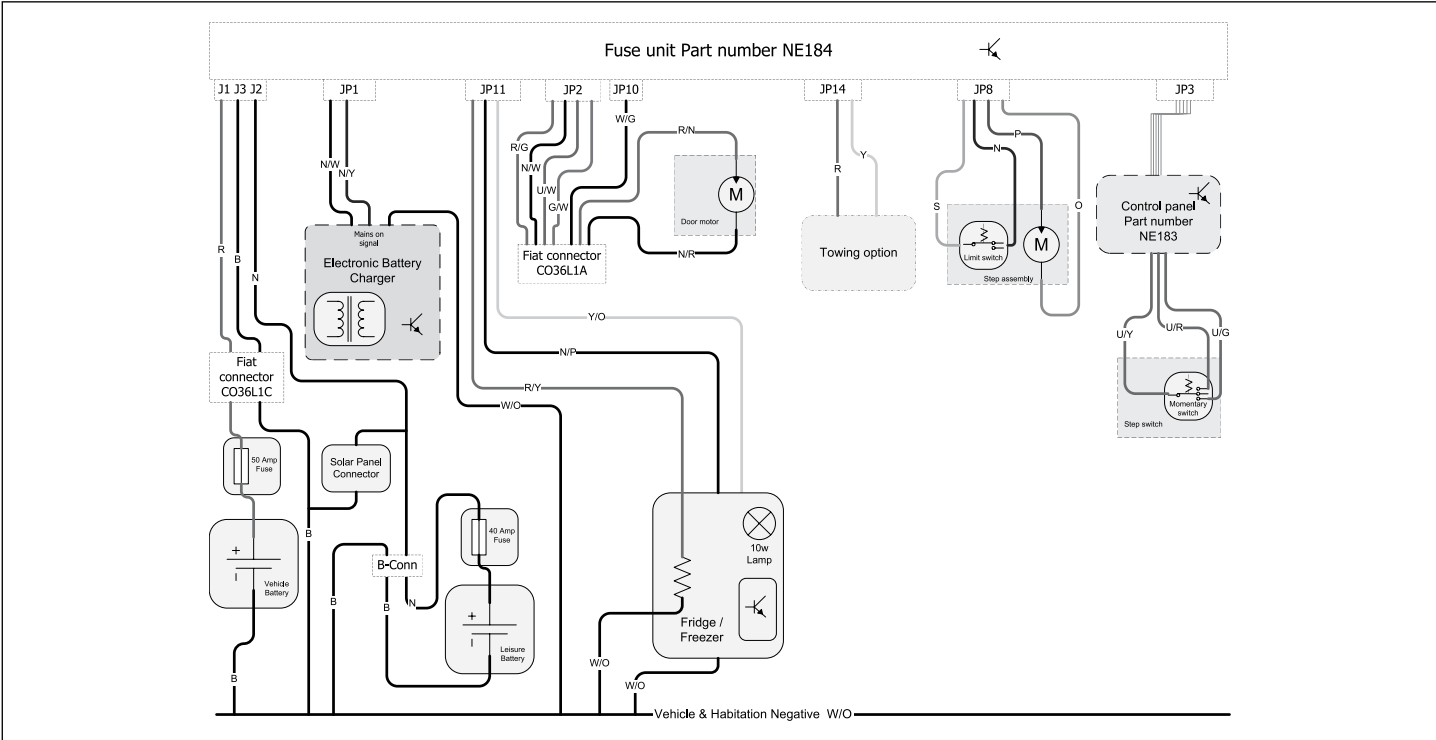


Wiring Diagrams

CONSUMER CIRCUITS – ROOF

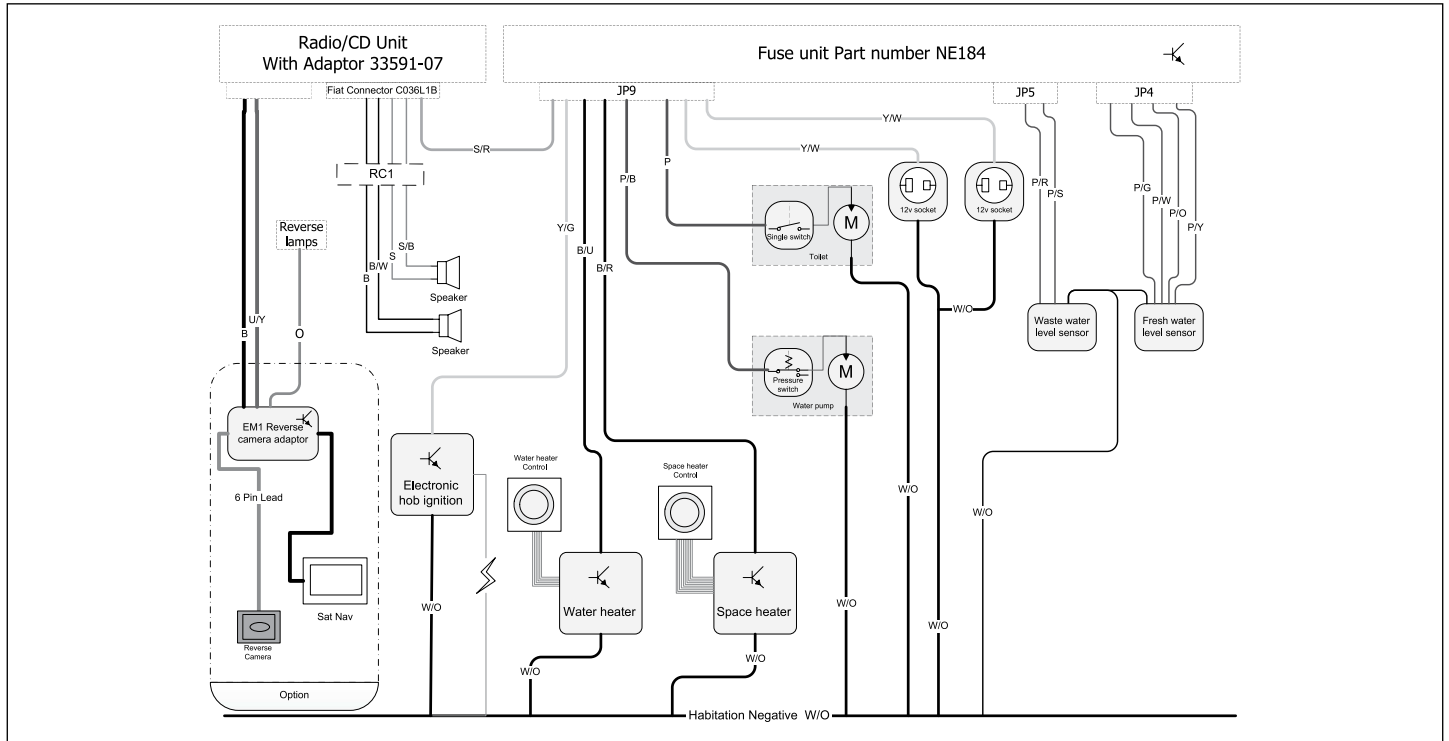


POWER CIRCUITS

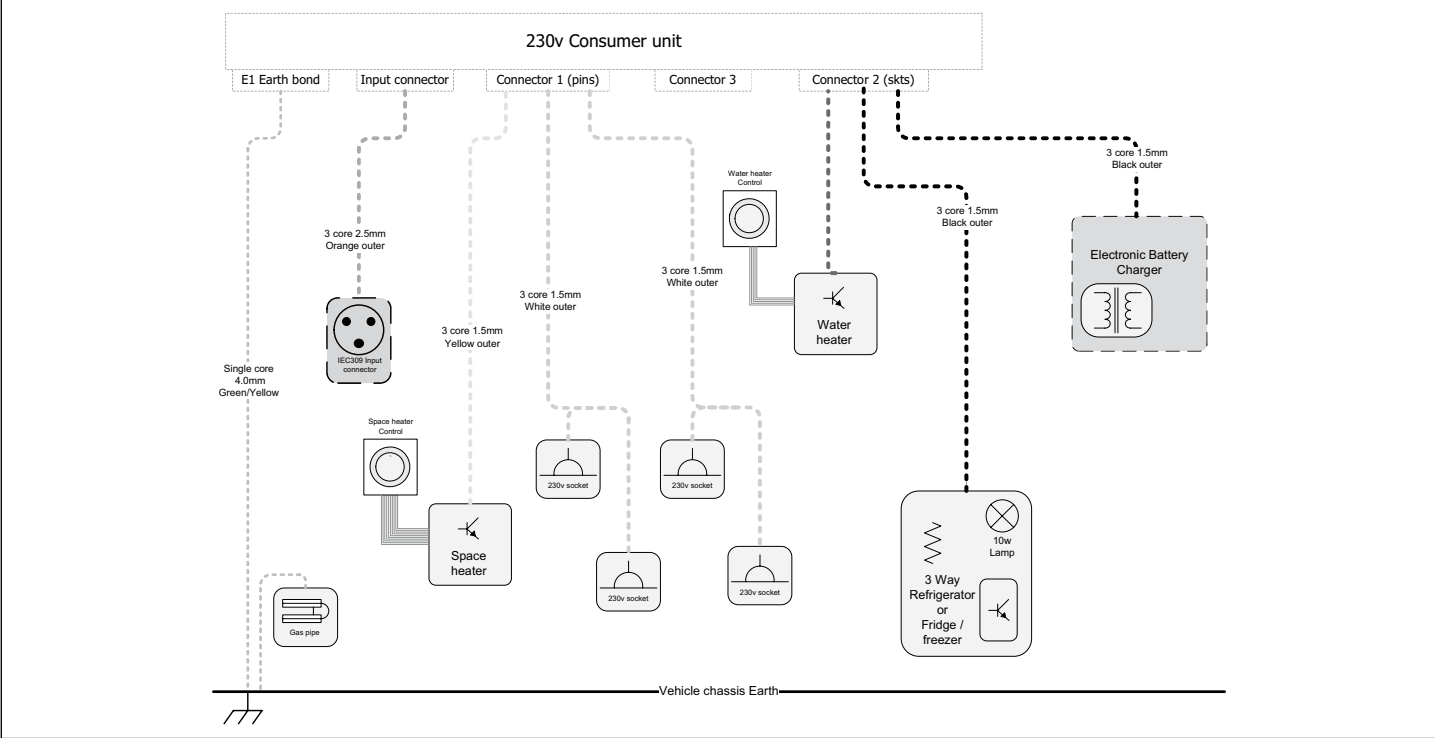


Wiring Diagrams

CONSUMER CIRCUITS – FLOOR



230V CIRCUITS



CABLE COLOUR CHART



12v Cable Colours

B	BLACK
N	BROWN
R	RED
O	ORANGE
Y	YELLOW
G	GREEN
U	BLUE
P	PURPLE
S	SLATE GREY
W	WHITE
K	PINK

230v Cable Colours

B	BLACK
N	BROWN
W	WHITE
O	ORANGE
Y	YELLOW
G	GREEN
U	BLUE

Bulb Replacement

Road Lights		
Application	Bulb Reference	Bulb Rating
Front marker light	W5W	12v 5w
Front marker light	LED - Replace lamp	12v <1w
Side marker light	W5W	12v 5w
Rear high level marker light	W5W	12v 5w
Rear high level marker light	LED - Replace lamp	12v <1w
High level stop lamp	T5/13.5	12v 2.3w
Rear indicator lamp	PY21 Orange	12v 21w
Rear Tail lamp	LED - Replace lamp	12v 1.2w
Rear Stop lamp	P21	12v 21w
Rear Stop / Tail lamp	P21/5W	12v 21w / 5w
Rear reverse lamp	P21	12v 21w
Rear fog lamp	P21	12v 21w
Number plate light	C5W	12v 5w
Interior / Other		
Downlighters	Halogen capsule	G4 12v 10w
Locker down lights	GU4/MR11 Dichroic	GU4 12v 10w
Locker Spotlights	GU5.3/MR16 Dichroic	GU5.312v 10w
Cooker hood mounted lamps	GU4/MR11 Dichroic	GU4 12v 10w
Panel mounted fluorescent lamps	300mm Fluorescent	12v 8w
Panel mounted fluorescent lamps	600mm Fluorescent	12v 13w
Ceiling lights	Halogen capsule	G4 10w
Luton Fluorescent lamps	300mm Fluorescent	12v 8w
B-pillar map reading lamps	GU4/MR11 Dichroic	GU4 12v 10w
Awning lamp	P21W	12v 21w