



Quality with Style

Swift Motorhomes

Dunswell Road, Cottingham, East Yorkshire HU16 4JX.

Tel: 01482 875740 Fax: 01482 840082

email: enquiry@swiftleisure.co.uk

web site: www.swiftmotorhomes.co.uk

A MEMBER OF THE SWIFT GROUP

1068646 v3 issued March 2007



Swift

Specification, wiring diagrams & bulb chart

Bolero





CONTENTS

| | |
|------------------------------|----|
| Standard Specifications..... | 2 |
| Capacities | 3 |
| Towing Capabilities | 4 |
| Jacking..... | 5 |
| Wiring Diagrams..... | 6 |
| Bulb Replacement | 10 |

Standard Specifications

| MODEL | Bolero 630EK 2.3L MWB | Bolero 630PR 2.3L LWB | Bolero 630EW 2.3L LWB | Bolero 680FB 2.3L LWB |
|--|----------------------------|----------------------------|---------------------------------------|----------------------------|
| Engine | Fiat '130 MultiJet' diesel | Fiat '130 MultiJet' diesel | Fiat '130 MultiJet' diesel | Fiat '130 MultiJet' diesel |
| Engine Capacity | 2287cc | 2287cc | 2287cc | 2287cc |
| Engine Power | 130bhp @ 3600rpm | 130bhp @ 3600rpm | 130bhp @ 3600rpm | 130bhp @ 3600rpm |
| Engine Torque | 320Nm @ 2000rpm | 320Nm @ 2000rpm | 320Nm @ 2000rpm | 320Nm @ 2000rpm |
| Chassis | Fiat special low line | Fiat special low line | Fiat special low line | Fiat special low line |
| Wheel base | 3.45m/11'4" | 4.04m/13'3" | 4.04m/13'3" | 4.04m/13'3" |
| Designated Passenger Seats | 1 | 1 | 1 | 1 |
| Berths (sleeping positions) | 2 | 2 | 2 | 2 |
| Overall Length (no ladder)* | 6.54m/21'5" | 6.54m/21'5" | 6.54m/21'5" | 7.04m/23'1" |
| Overall Width (mirrors folded) | 2.35m/7'8" | 2.35m/7'8" | 2.35m/7'8" | 2.35m/7'8" |
| Overall Height (inc. TV aerial) | 2.79m/9'2" | 2.79m/9'2" | 2.79m/9'2" | 2.79m/9'2" |
| Maximum Technical Permissible Laden Mass (A) | 3500kg | 3500kg | 3500kg | 3500kg |
| Mass in Running Order (B)† | 2935kg | 2975kg | 2965kg | 3050kg |
| Maximum User Payload (A-B) | 565kg | 525kg | 535kg | 450kg |
| Essential Habitation Equipment | 12kg | 12kg | 12kg | 12kg |
| Maximum recommended trailer weight | 1250kg | 1660kg | 1660kg | 1300kg |
| Thermal Insulation Grade | Three | Three | Three | Three |
| BED SIZES | | | | |
| Front Double | 2.11m x 1.82m/6'11" x 6'0" | | 2.11m x 1.37m/1.22m/6'11" x 4'6"/4'0" | |
| Front Nearside Single | 1.82m x 0.71m/6'0" x 2'4" | | | |
| Front Offside Single | 1.82m x 0.71m/6'0" x 2'4" | | | |
| Rear Double | | 2.11m x 1.82m/6'11" x 6'0" | | 1.90m x 1.32m/6'3" x 4'4" |
| Rear Nearside Single | | 1.92m x 0.70m/6'4" x 2'4" | | |
| Rear Offside Single | | 1.82m x 0.70m/6'0" x 2'4" | | |

- NOTE:** 1. The **Maximum User Payload** includes: a) the **conventional load** (this is the allowance for passengers)
b) **essential habitation equipment** (items and fluids required for safe and proper functioning of habitation equipment)
c) **optional equipment** (items available from the manufacturer over and above the standard specification)
d) **personal effects** (those items not covered by the above)
2. The **Mass in Running Order** is the mass of the unladen vehicle including a 75kg allowance for the driver plus engine coolants and 90% of the fuel tank, water tank and gas capacity.
3. PLEASE TAKE CARE TO ENSURE THAT YOU HAVE ALLOWED FOR THE MASSES OF ALL ITEMS YOU INTEND TO CARRY IN THE MOTOR CARAVAN,
e.g. passengers, optional equipment, essential habitation equipment and personal effects, such as clothing, food, pets, bicycles, sailboards, sports equipment etc.
4. **WARNING - UNDER NO CIRCUMSTANCES SHOULD THE MAXIMUM TECHNICAL PERMISSIBLE LADEN MASS OF THIS MOTOR CARAVAN BE EXCEEDED.**
- * For optional roof ladder (add 100mm)

Capacities

Water Tank Capacities

| | Fresh Water Tank | Waste Water Tank | Water Heater | Toilet Tank (Flushing) |
|---------------------|-------------------------|-------------------------|---------------------|-------------------------------|
| Swift Bolero | 90 litre | 68 litre | 12 litre | 0 litre |

Gas Capacities

| | Capacity |
|---------------------|-----------------|
| Swift Bolero | 2 x 7kg |

The above are recommended gas bottle sizes

NOTICE

For technical data on the base vehicle please refer to manufacturer's handbook

Swift Bolero Towing Capabilities

| Model | Engine / Chassis | MTPLM | Permissible Front Axle Load | Permissible Rear Axle Load | Recommended Maximum Trailer Weight | Gross Train Weight |
|--------------------|------------------|--------|-----------------------------|----------------------------|------------------------------------|--------------------|
| Swift Bolero 630EK | 2.3L / MWB | 3500kg | 1850kg | 2000kg | 1250kg | 6000kg |
| Swift Bolero 630PR | 2.3L / LWB | 3500kg | 1850kg | 2000kg | 1660kg | 6000kg |
| Swift Bolero 630EW | 2.3L / LWB | 3500kg | 1850kg | 2000kg | 1660kg | 6000kg |
| Swift Bolero 680FB | 2.3L / LWB | 3500kg | 1850kg | 2000kg | 1300kg | 6000kg |

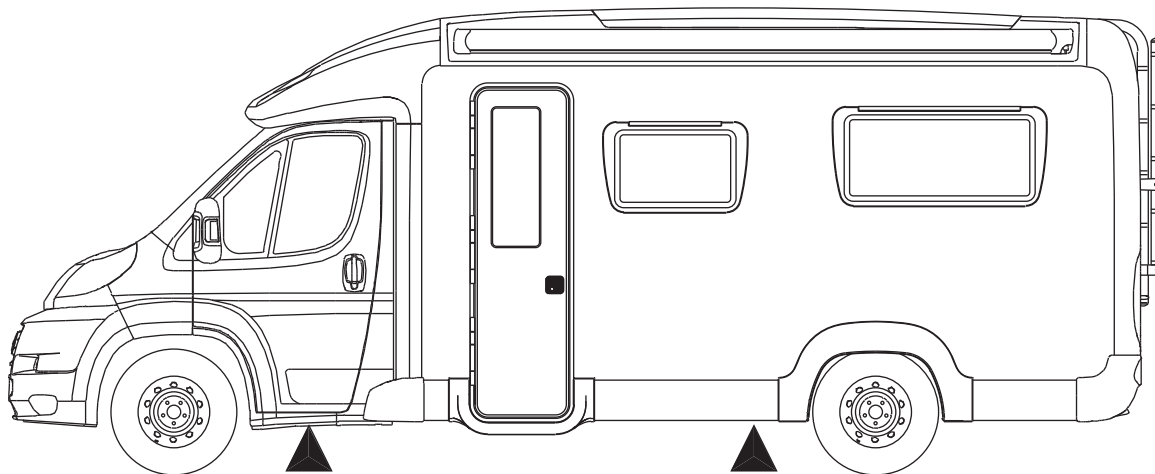
To ensure adequate road holding, the load on the front axle, under all conditions, must not be less than 40% or more than 70% of the total weight.

Care must be taken when distributing loads. The loadings above are maximum loadings and must not be exceeded under any circumstances.

CAUTION: When fitting a towbar, it must meet certain minimum requirements as specified by Type Approval Regulations. The bar will have marked on it the approval standard (94/20/EC) and the maximum download, or noseweight, that it can accept. It must fit the manufacturer's approved mounting points and must not obscure the towing vehicle's number plate.

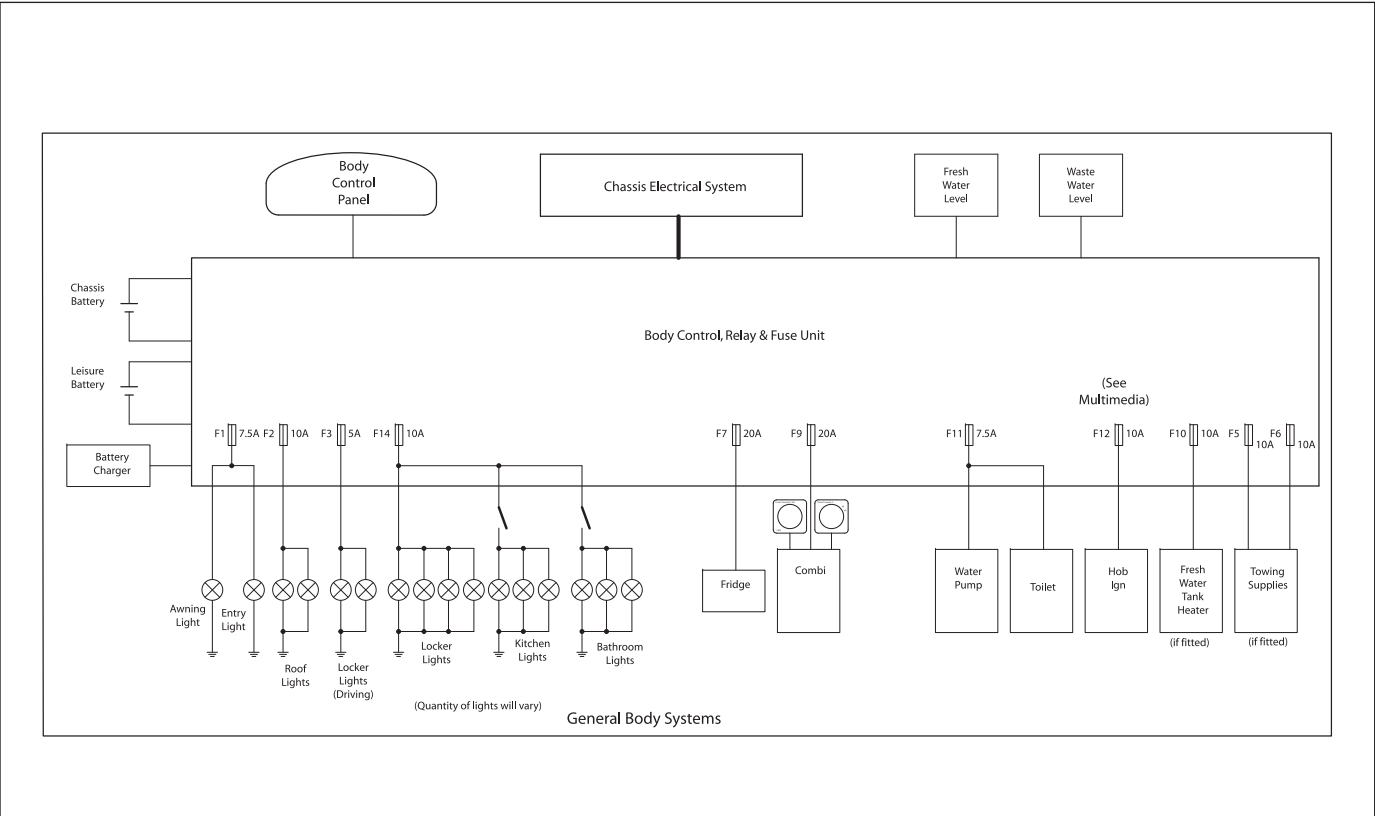
Jacking

SWIFT BOLERO



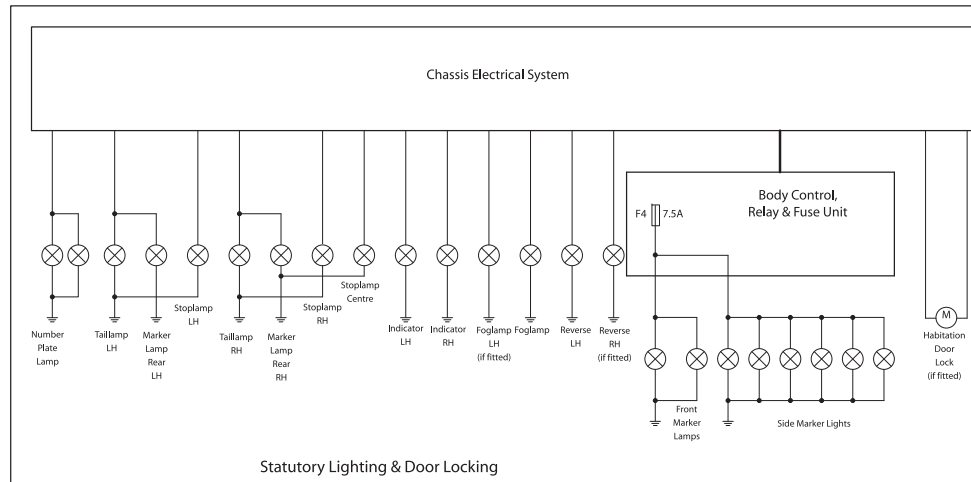
Jacking Points: ▲

SWIFT BOLERO GENERAL BODY SYSTEMS

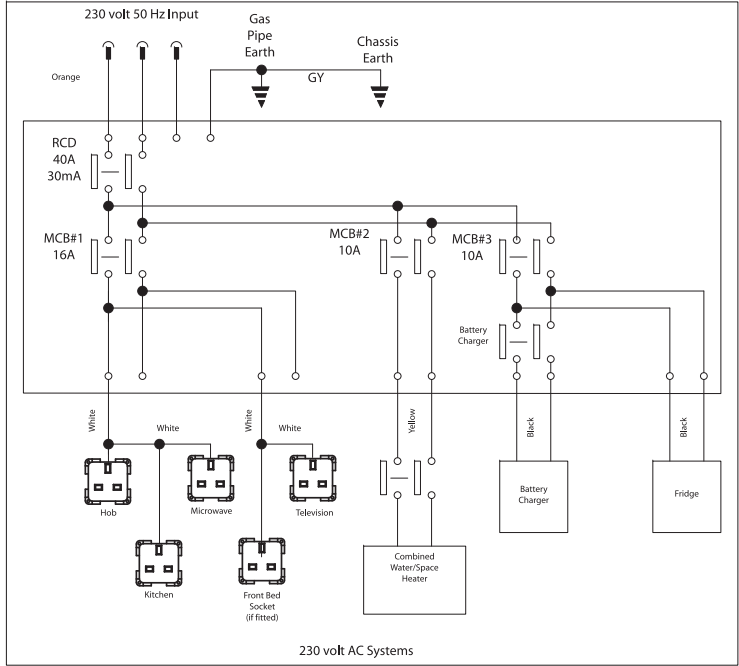


Wiring Diagrams

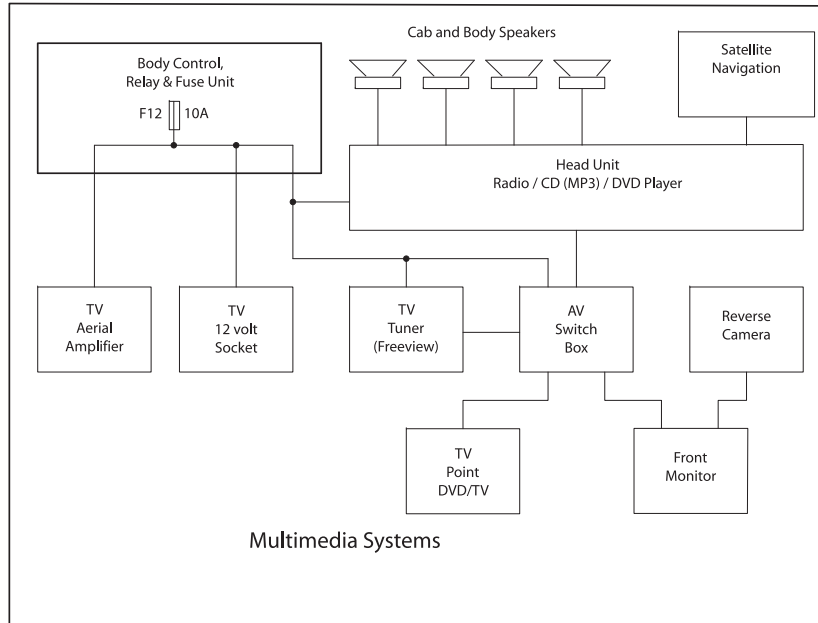
SWIFT BOLERO STATUTORY LIGHTING AND DOOR LOCKING



SWIFT BOLERO 230V AC SYSTEMS



SWIFT BOLERO MULTIMEDIA SYSTEMS



Bulb Replacement

| SWIFT BOLERO | | | |
|-------------------------------------|-----------------------|--------------------|--|
| | Bulb Reference | Bulb Rating | |
| EXTERIOR LIGHTS | | | |
| Front marker light | W5W | 12V 5W | |
| Side marker light | W5W | 12V 5W | |
| Rear high level marker light | W5W | 12V 5W | |
| High level stop lamp | T5/13.5 | 12V 2.3W | |
| Rear indicator lamp | PY21 Orange | 12V 21W | |
| Rear stop / Tail lamp | PY21/5W | 12V 21W / 5W | |
| Rear reverse lamp | P21 | 12V 21W | |
| Rear fog lamp | P21 | 12V 21W | |
| Number plate light | C5W | 12V 5W | |
| | | | |
| INTERIOR LIGHTS | | | |
| Downlighters | Halogen capsule | G4 12V 10W | |
| Locker spotlights | GU4 / MR11 Dichroic | GU4 12V 10W | |
| kitchen locker light | 300mm Fluorescent | 12V 8W | |
| Panel mounted fluorescent lamps | 300mm Fluorescent | 12V 13W | |
| Skylight surround fluorescent lamps | 300mm Fluorescent | 12V 8W | |
| Drop down monitor surround lamps | GU4 / MR11 Dichroic | GU4 12V 10W | |
| Drop down monitor integral lamps | Halogen capsule | G4 12V 5W | |
| Awning lamp | P21W | 12V 21W | |

Note: Not all lights and bulbs feature on all models within a range