



Individually styled  
Beautifully built

**BESSACARR MOTORHOMES**

Dunswell Road, Cottingham, East Yorkshire HU16 4JX.

Tel: 01482 875740 Fax: 01482 840082

email: [enquiry@swiftleisure.co.uk](mailto:enquiry@swiftleisure.co.uk)

website: [www.bessacarmotorhomes.co.uk](http://www.bessacarmotorhomes.co.uk)

A MEMBER OF THE SWIFT GROUP

1076323 v2 issued November 2006

# bessacarrmotorhomes

E400 Series specification, wiring diagrams & bulb chart



Individually styled  
Beautifully built



# CONTENTS

Standard Specifications.....	2
Optional Specifications.....	3
Capacities .....	4
Towing Capabilities .....	5
Jacking.....	6
Wiring Diagrams.....	7
Bulb Replacement .....	11

# Standard Specifications

MODEL	E410 Low-Line	E460 Low-Line	E425 High-Line	E435 High-Line	E495 High-Line
Engine	Fiat '100 MultiJet' diesel	Fiat '100 MultiJet' diesel	Fiat '100 MultiJet' diesel	Fiat '100 MultiJet' diesel	Fiat '130 MultiJet' diesel
Engine Capacity	2198cc	2198cc	2198cc	2198cc	2287cc
Engine Power	100bhp @ 2900rpm	100bhp @ 2900rpm	100bhp @ 2900rpm	100bhp @ 2900rpm	130bhp @ 3600rpm
Engine Torque	250Nm @ 1500rpm	250Nm @ 1500rpm	250Nm @ 1500rpm	250Nm @ 1500rpm	320Nm @ 2000rpm
Chassis	Fiat chassis-cab	Fiat chassis-cab	Fiat chassis-cab	Fiat chassis-cab	Fiat chassis-cab
Wheel base	3.0m/9'10"	3.45m/11'4"	3.45m/11'4"	3.45m/11'4"	4.04m/13'3"
Designated Passenger Seats	1	1	1	3	5
Berths (sleeping positions)	2	2	4	5	6
Overall Length (no ladder)*	5.75m/18'10"	6.32m/20'9"	6.32m/20'9"	6.32m/20'9"	7.34m/24'1"
Overall Width (mirrors folded)	2.24m/7'4"	2.24m/7'4"	2.24m/7'4"	2.24m/7'4"	2.24m/7'4"
Overall Height	2.96m/9'9"	2.96m/9'9"	3.05m/10'0"	3.05m/10'0"	3.05m/10'0"
Maximum Technical Permissible Laden Mass (A)	3000kg	3500kg	3500kg	3500kg	4005kg
Mass in Running Order (B)†	2790kg	2895kg	2960kg	3020kg	3370kg**
Maximum User Payload (A-B)	210kg	605kg	540kg	480kg	635kg**
Essential Habitation Equipment	10kg	10kg	10kg	10kg	10kg
Maximum Recommended Trailer Weight	Not recommended	1070kg	1070kg	1070kg	1120kg**
<b>BED SIZES</b>					
Front Double	2.09m x 1.33m/6'10" x 4'4"			1.88m x 1.23m/6'2" x 4'0"	1.88m x 1.23m/6'2" x 4'0"
Front Nearside Single				1.88m x 0.66m/6'2" x 2'2"	
Front Offside Single				1.88m x 0.90m/6'2" x 2'11"	1.88m x 0.90m/6'2" x 2'11"
Rear Double		2.09m x 1.86m/6'10" x 6'1"	2.09m x 1.39m/6'10" x 4'7"		2.09m x 1.86m/6'10" x 6'1"
Rear Nearside Single		1.87m x 0.68m/6'2" x 2'3"			1.87m x 0.68m/6'2" x 2'3"
Rear Offside Single		1.86m x 0.68m/6'1" x 2'3"			1.86m x 0.68m/6'1" x 2'3"
Overcab Bed			1.91m x 1.37m/6'3" x 4'6"	1.91m x 1.37m/6'3" x 4'6"	1.91m x 1.37m/6'3" x 4'6"

- NOTE:** 1. The **Maximum User Payload** includes: a) the **conventional load** (this is the allowance for passengers)  
b) **essential habitation equipment** (items and fluids required for safe and proper functioning of habitation equipment)  
c) **optional equipment** (items available from the manufacturer over and above the standard specification)  
d) **personal effects** (those items not covered by the above)
2. The **Mass in Running Order** is the mass of the unladen vehicle including a 75kg allowance for the driver plus engine coolants and 90% of the fuel tank, water tank and gas capacity.
3. PLEASE TAKE CARE TO ENSURE THAT YOU HAVE ALLOWED FOR THE MASSES OF ALL ITEMS YOU INTEND TO CARRY IN THE MOTOR CARAVAN, e.g. passengers, optional equipment, essential habitation equipment and personal effects, such as clothing, food, pets, bicycles, sailboards, sports equipment etc.
4. **WARNING** - UNDER NO CIRCUMSTANCES SHOULD THE MAXIMUM TECHNICAL PERMISSIBLE LADEN MASS OF THIS MOTOR CARAVAN BE EXCEEDED.

\* For optional roof ladder (add 200mm).

\*\* Estimated

# Optional Specifications

MODEL	E460 Low-Line	E425 High-Line	E435 High-Line
Engine	Fiat '130 MultiJet' diesel	Fiat '130 MultiJet' diesel	Fiat '130 MultiJet' diesel
Engine Capacity	2287cc	2287cc	2287cc
Engine Power	130bhp @ 3600rpm	130bhp @ 3600rpm	130bhp @ 3600rpm
Engine Torque	320Nm @ 2000rpm	320Nm @ 2000rpm	320Nm @ 2000rpm
Chassis	Fiat chassis-cab	Fiat chassis-cab	Fiat chassis-cab
Wheel base	3.45m/11'4"	3.45m/11'4"	3.45m/11'4"
Designated Passenger Seats	1	1	3
Berths (sleeping positions)	2	4	5
Overall Length (no ladder)*	6.32m/20'9"	6.32m/20'9"	6.32m/20'9"
Overall Width (mirrors folded)	2.24m/7'4"	2.24m/7'4"	2.24m/7'4"
Overall Height	2.96m/9'9"	3.05m/10'0"	3.05m/10'0"
Maximum Technical Permissible Laden Mass (A)	3500kg	3500kg	3500kg
Mass in Running Order (B)†	2910kg	2975kg	3035kg
Maximum User Payload (A-B)	590kg	525kg	465kg
Essential Habitation Equipment	10kg	10kg	10kg
Maximum Recommended Trailer Weight	1070kg	1070kg	1070kg
<b>BED SIZES</b>			
Front Double			1.88m x 1.23m/6'2" x 4'0"
Front Nearside Single			1.88m x 0.66m/6'2" x 2'2"
Front Offside Single			1.88m x 0.90m/6'2" x 2'11"
Rear Double	2.09m x 1.86m/6'10" x 6'1"	2.09m x 1.39m/6'10" x 4'7"	
Rear Nearside Single	1.87m x 0.68m/6'2" x 2'3"		
Rear Offside Single	1.86m x 0.68m/6'1" x 2'3"		
Overcab Bed		1.91m x 1.37m/6'3" x 4'6"	1.91m x 1.37m/6'3" x 4'6"

- NOTE:** 1. The **Maximum User Payload** includes: a) the **conventional load** (this is the allowance for passengers)  
b) **essential habitation equipment** (items and fluids required for safe and proper functioning of habitation equipment)  
c) **optional equipment** (items available from the manufacturer over and above the standard specification)  
d) **personal effects** (those items not covered by the above)
2. The **Mass in Running Order** is the mass of the unladen vehicle including a 75kg allowance for the driver plus engine coolants and 90% of the fuel tank, water tank and gas capacity.
3. PLEASE TAKE CARE TO ENSURE THAT YOU HAVE ALLOWED FOR THE MASSES OF ALL ITEMS YOU INTEND TO CARRY IN THE MOTOR CARAVAN, e.g. passengers, optional equipment, essential habitation equipment and personal effects, such as clothing, food, pets, bicycles, sailboards, sports equipment etc.
4. **WARNING** - UNDER NO CIRCUMSTANCES SHOULD THE MAXIMUM TECHNICAL PERMISSIBLE LADEN MASS OF THIS MOTOR CARAVAN BE EXCEEDED.
- \* For optional roof ladder (add 200mm)

# Capacities

## Water Tank Capacities

	<b>Fresh Water Tank</b>	<b>Waste Water Tank</b>	<b>Water Heater</b>	<b>Toilet Tank (Flushing)</b>
<b>E400 Series</b>	90 litre	68 litre	10 litre	0 litre

## Gas Capacities

	<b>Capacity</b>
<b>E400 Series</b>	2 x 7kg

The above are recommended gas bottle sizes

## NOTICE

For technical data on the base vehicle please refer to manufacturer's handbook

## Bessacarr E400 Series Towing Capabilities

Model	Engine / Chassis	MTPLM	Permissible Front Axle Load	Permissible Rear Axle Load	Recommended Maximum Trailer Weight	Gross Train Weight
<b>Bessacarr E410</b>	2.2L / SWB / ABS	3000kg	1600kg	1650kg	Not Recommended	5000kg
<b>Bessacarr E460</b>	2.2L / MWB / ABS	3500kg	1850kg	2000kg	1070kg	5500kg
<b>Bessacarr E460</b>	2.3L / MWB / ABS	3500kg	1850kg	2000kg	1340kg	6000kg
<b>Bessacarr E425</b>	2.2L / MWB / ABS	3500kg	1850kg	2000kg	1070kg	5500kg
<b>Bessacarr E425</b>	2.3L / MWB / ABS	3500kg	1850kg	2000kg	1340kg	6000kg
<b>Bessacarr E435</b>	2.2L / MWB / ABS	3500kg	1850kg	2000kg	1070kg	5500kg
<b>Bessacarr E435</b>	2.3L / MWB / ABS	3500kg	1850kg	2000kg	1340kg	6000kg
<b>Bessacarr E495</b>	2.3L / LWB / ABS	4005kg	2100kg	2400kg	1120kg**	6505kg

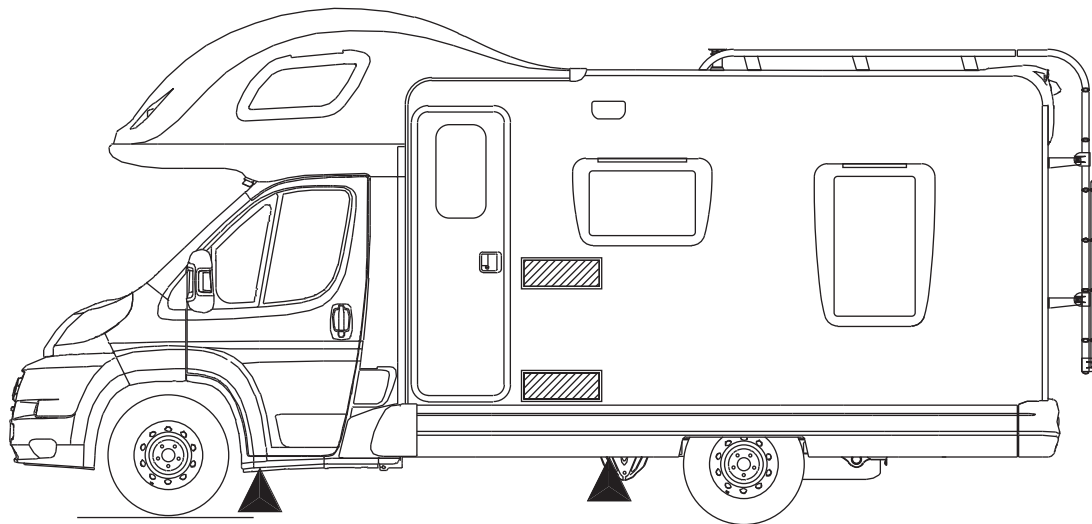
To ensure adequate road holding, the load on the front axle, under all conditions, must not be less than 40% or more than 70% of the total weight.

Care must be taken when distributing loads. The loadings above are maximum loadings and must not be exceeded under any circumstances.

\*\* Estimated

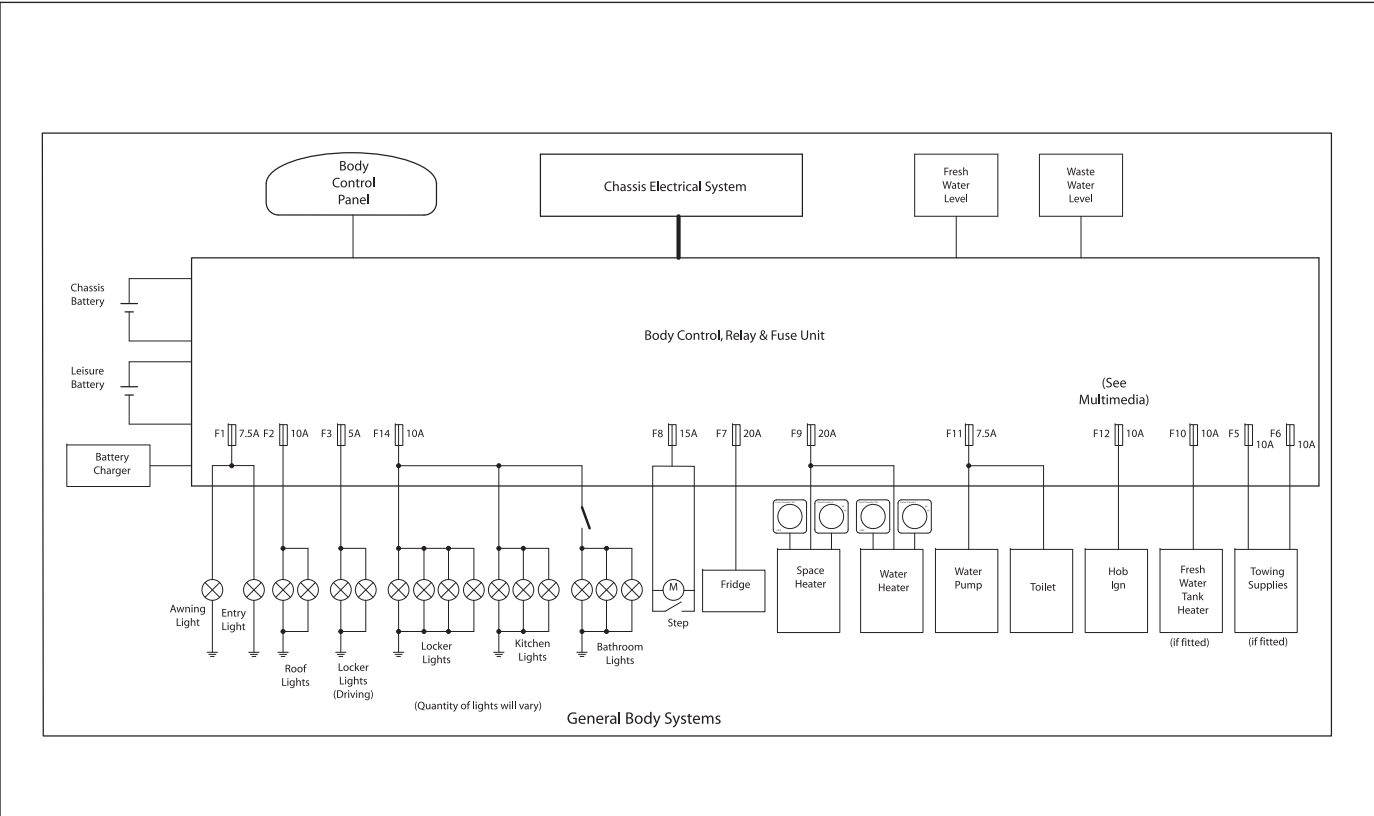
**CAUTION:** When fitting a towbar, it must meet certain minimum requirements as specified by Type Approval Regulations. The bar will have marked on it the approval standard (94/20/EC) and the maximum download, or noseweight, that it can accept. It must fit the manufacturer's approved mounting points and must not obscure the towing vehicle's number plate.

## BESSACARR E400 SERIES



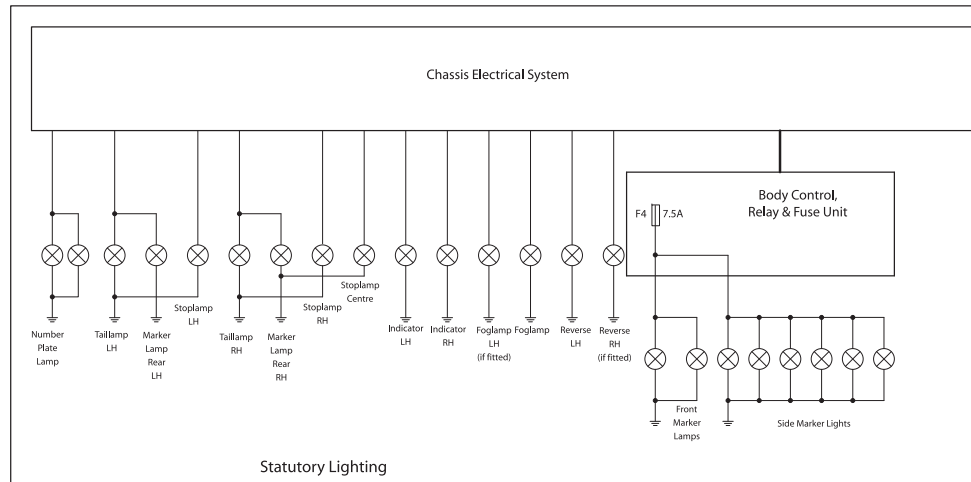
Jacking Points for High-Line and Low-Line: ▲

## BESSACARR E400 SERIES GENERAL BODY SYSTEMS

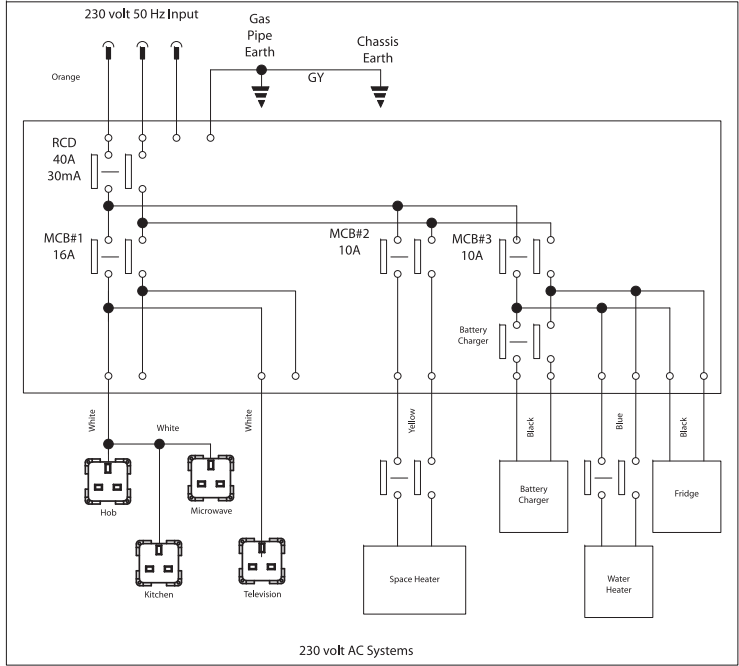


# Wiring Diagrams

## BESSACARR E400 SERIES STATUTORY LIGHTING

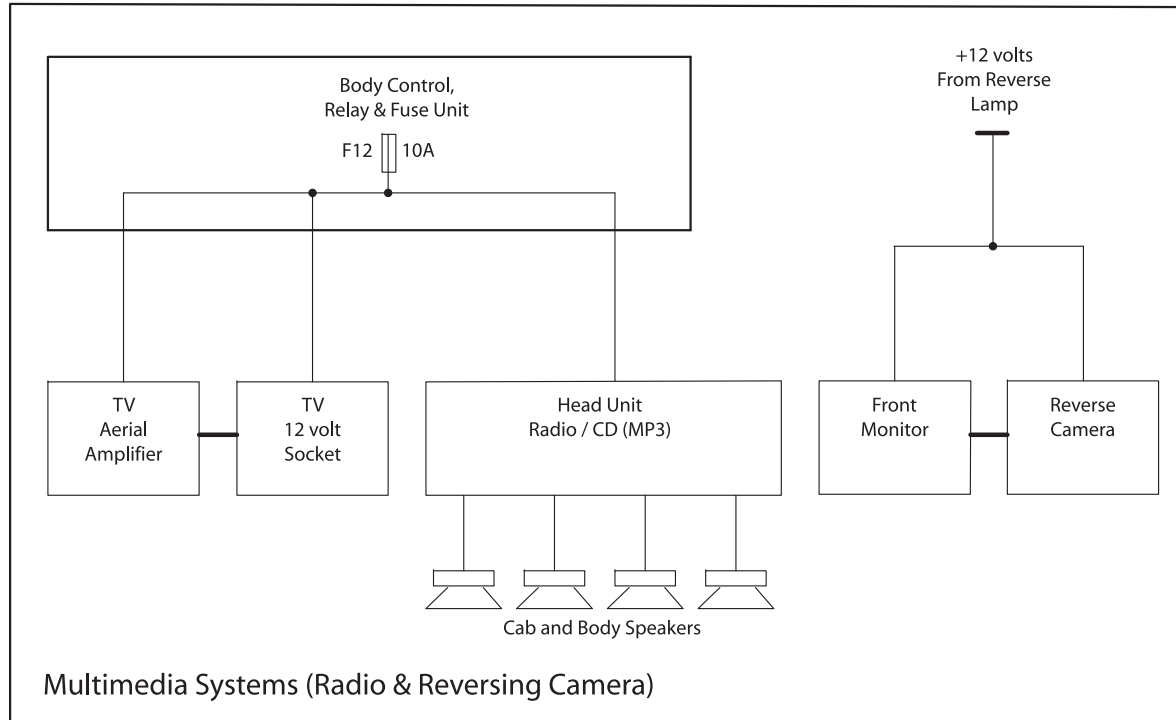


## BESSACARR E400 SERIES 230V AC SYSTEMS



# Wiring Diagrams

## BESSACARR E400 SERIES MULTIMEDIA SYSTEMS



# Bulb Replacement

<b>BESSACARR E400 SERIES</b>			
	<b>Bulb Reference</b>	<b>Bulb Rating</b>	
<b>EXTERIOR LIGHTS</b>			
Front marker light	W5W	12V 5W	
Side marker light	W5W	12V 5W	
Rear high level marker light	W5W	12V 5W	
High level stop lamp	T5 / 13.5	12V 2.3W	
Rear indicator lamp	PV21	12V 21W	
Rear stop / Tail lamp	P21/5W	12V 21W / 5W	
Rear reverse lamp	P21	12V 21W	
Rear fog lamp	P21	12V 21W	
Number plate light	C5W	12V 5W	
<b>INTERIOR LIGHTS</b>			
Downlighters	Halogen capsule	G4 12V 10W	
Locker spotlights	GU4 / MR11 Dichroic	GU4 12V 10W	
Kitchen locker light	300mm Fluorescent	12V 8W	
Panel mounted fluorescent lamps	300mm Fluorescent	12V 13W	
Skylight surround fluorescent lamps	300mm Fluorescent	12V 8W	
Luton fluorescent lamps	300mm Fluorescent	12V 8W	
Drop down monitor surround lamps	GU4 / MR11 Dichroic	GU4 12V 10W	
Drop down monitor integral lamps	Halogen capsule	G4 12V 5W	
Awning lamp	P21W	12V 21W	
150mm diameter white ceiling light	Halogen Capsule	G4 12V 5W	

Note: Not all lights and bulbs feature on all models within a range

# NOTES

