

Swift Caravans, Dunswell Road,
Cottingham, East Yorkshire HU16 4JX.
Tel: 01482 875740 Fax: 01482 840082

email: enquiry@swiftgroup.co.uk

website: www.swiftcaravans.co.uk

A MEMBER OF THE SWIFT GROUP

1081676 Issued March 2008



Quality with Style



Swift **Charisma**

Specification, Wiring Diagrams & Bulb Chart



Quality with Style

CONTENTS

Specification.....	2-3
Wiring Diagrams - Road lights	4
Wiring Diagrams - Roof circuits	5
Wiring Diagrams - Floor circuits	6
Wiring Diagrams - 230V circuits	7
Wiring Diagrams - Power circuits	8
Wiring Diagrams - Cable colour chart	9
Bulb Chart	10

Specifications

Charisma	Charisma 220	Charisma 230	Charisma 535	Charisma 560	Charisma 570
Berths	2	2	4	4	6
Axles	1	1	1	1	1
Internal Length (bed box height)	3.83m/12'7"	4.59m/15'1"	4.74m/15'7"	5.44m/17'10"	5.50m/18'1"
Overall Width	2.23m/7'4"	2.23m/7'4"	2.23m/7'4"	2.23m/7'4"	2.23m/7'4"
Overall Height (inc. TV Aerial)	2.70m/8'10"	2.70m/8'10"	2.70m/8'10"	2.70m/8'10"	2.70m/8'10"
Maximum Internal Headroom	1.95m/6'5"	1.95m/6'5"	1.95m/6'5"	1.95m/6'5"	1.95m/6'5"
Overall Length	5.52m/18'11"	6.28m/20'7"	6.43m/21'1"	7.12m/23'4"	7.19m/23'7"
Mass in Running Order (inc. tolerance)	1026kg/20.2cwt	1118kg/22.0cwt	1127kg/22.2cwt	1250kg/24.6cwt	1269kg/25.0cwt
Essential Habitation Equipment Payload	68kg/1.3cwt	68kg/1.3cwt	68kg/1.3cwt	68kg/1.3cwt	68kg/1.3cwt
Personal Effects Payload	96kg/1.9cwt	104kg/2.0cwt	125kg/2.5cwt	132kg/2.6cwt	153kg/3.0cwt
Optional Equipment Payload	10kg/0.2cwt	10kg/0.2cwt	10kg/0.2cwt	10kg/0.2cwt	10kg/0.2cwt
Total user Payload	174kg/3.4cwt	182kg/3.5cwt	203kg/4.0cwt	210kg/4.1cwt	231kg/4.5cwt
Maximum Technical Permissible Laden Mass (DECLARED)	1200kg/23.6cwt	1300kg/25.5cwt	1330kg/26.2cwt	1460kg/28.7cwt	1500kg/29.5cwt
Maximum Technical Permissible Laden Mass (POSSIBLE)	1350kg/26.6cwt	1350kg/26.6cwt	1350kg/26.6cwt	1500kg/29.5cwt	1500kg/29.5cwt
Awning A/A dimension†	8.20m/26'11"	8.91m/29'3"	9.08m/29'9"	9.75m/32'0"	9.82m/32'3"
Tyre Size	175 R14 99	175 R14 99	175 R14 99	185 R14 102	185 R14 102
Tyre pressure at DECLARED MTPLM	55 psi	60 psi	62 psi	62 psi	65 psi
Tyre pressure at POSSIBLE MTPLM	63 psi	63 psi	63 psi	65 psi	65 psi
Static Load on Coupling Head	100kg	100kg	100kg	100kg	100kg
Thermal Insulation Grade	TWO	TWO	TWO	TWO	TWO
Bed Sizes					
Front Double	208cm x 190cm/6'10" x 6'3"	208cm x 180cm/6'10" x 5'11"	208cm x 134cm/6'10" x 4'5"	208cm x 180cm/6'10" x 5'11"	208cm x 180cm/6'10" x 5'11"
or Front Nearside Single	190cm x 72cm/6'3" x 2'4"	190cm x 72cm/6'3" x 2'4"		180cm x 72cm/5'11" x 2'4"	180cm x 72cm/5'11" x 2'4"
and Front Offside Single	190cm x 72cm/6'3" x 2'4"	180cm x 72cm/5'11" x 2'4"		190cm x 72cm/6'3" x 2'4"	180cm x 72cm/5'11" x 2'4"
Rear Double			188cm x 137cm/6'2" x 4'6"		
Rear Bunk					
Side Single (offside)				180cm x 70cm/5'11" x 2'4"	
Side Single (nearside)					180cm x 70cm/5'11" x 2'4"
Side Bunk (offside)				178cm x 59cm/5'10" x 1'11"	
Side Bunk (nearside)					178cm x 59cm/5'10" x 1'11"
Rear Fixed Lower Bunk					180cm x 62cm/5'11" x 2'1"
Rear Fixed Upper Bunk					179cm x 60cm/5'10" x 2'0"

Bed sizes: Please note that double bed sizes are quoted with wrap round seating.

†Note on awning sizes: Due to the varying awning designs and sizes the awning sizes given are approximate only. Specific awning sizes must be confirmed by your dealer or the awning manufacturer prior to purchase.

*Estimated

Specifications

Charisma	Charisma 555	Charisma 540	Charisma 610	Charisma 620	Charisma 650
Berths	4	5	4	4	6
Axles	1	1	2	2	2
Internal Length (bed box height)	5.50m/18'11"	5.60m/18'4"	6.27m/20'7"	6.27m/20'7"	6.27m/20'7"
Overall Width	2.29m/7'6"	2.23m/7'4"	2.29m/7'6"	2.29m/7'6"	2.29m/7'6"
Overall Height (inc. TV Aerial)	2.70m/8'10"	2.70m/8'10"	2.70m/8'10"	2.70m/8'10"	2.70m/8'10"
Maximum Internal Headroom	1.95m/6'5"	1.95m/6'5"	1.95m/6'5"	1.95m/6'5"	1.95m/6'5"
Overall Length	7.19m/23'7"	7.29m/23'11"	7.96m/26'1"	7.96m/26'1"	7.96m/26'1"
Mass in Running Order (inc. tolerance)	1269kg/25.0cwt	1263kg/24.9cwt	1426kg/28.1cwt	1431kg/28.2cwt	1481kg/29.2cwt
Essential Habitation Equipment Payload	68kg/1.3cwt	68kg/1.3cwt	104kg/2.0cwt	104kg/2.0cwt	104kg/2.0cwt
Personal Effects Payload	133kg/2.6cwt	144kg/2.8cwt	140kg/2.8cwt	140kg/2.8cwt	160kg/3.1cwt
Optional Equipment Payload	10kg/0.2cwt	10kg/0.2cwt	10kg/0.2cwt	10kg/0.2cwt	10kg/0.2cwt
Total user Payload	211kg/4.1cwt	222kg/4.3cwt	254kg/5.0cwt	254kg/5.0cwt	274kg/5.3cwt
Maximum Technical Permissible Laden Mass (DECLARED)	1480kg/29.1cwt	1485kg/29.2cwt	1680kg/33.1cwt	1685kg/33.2cwt	1755kg/34.5cwt
Maximum Technical Permissible Laden Mass (POSSIBLE)	1500kg/29.5cwt	1500kg/29.5cwt	1800kg/35.4cwt	1800kg/35.4cwt	1800kg/35.4cwt
Awning A/A dimension†	9.82m/32'3"	9.87m/32'5"	10.58m/34'9"	10.58m/34'9"	10.58m/34'9"
Tyre Size	185 R14 102	185 R14 102	175/65 R14 86	175/65 R14 86	175/65 R14 86
Tyre pressure at DECLARED MTPLM	63 psi	63 psi	38 psi	38 psi	40 psi
Tyre pressure at POSSIBLE MTPLM	65 psi	65 psi	41 psi	41 psi	41 psi
Static Load on Coupling Head	100kg	100kg	100kg	100kg	100kg
Thermal Insulation Grade	TWO	TWO	TWO	TWO	TWO
Bed Sizes					
Front Double	213cm x 159cm/7'0" x 5'3"	208cm x 180cm/6'10" x 5'11"	213cm x 167cm/7'0" x 5'6"	213cm x 167cm/7'0" x 5'6"	213cm x 190cm/7'0" x 6'3"
or Front Nearside Single	167cm x 72cm/5'6" x 2'4"	190cm x 72cm/6'3" x 2'4"	167cm x 72cm/5'6" x 2'4"	167cm x 72cm/5'6" x 2'4"	190cm x 72cm/6'3" x 2'4"
and Front Offside Single	159cm x 72cm/5'3" x 2'4"	180cm x 72cm/5'11" x 2'4"	190cm x 72cm/6'3" x 2'4"	190cm x 72cm/6'3" x 2'4"	190cm x 72cm/6'3" x 2'4"
Rear Double	192cm x 138cm/6'4" x 4'6"	208cm x 129cm/6'10" x 4'3"	186cm x 134cm/6'1" x 4'5"	193cm x 137cm/6'4" x 4'6"	213cm x 178cm/7'0" x 5'10"
Rear Bunk		190cm x 56cm/6'3" x 1'10"			
Side Single (offside)					191cm x 67cm/6'3" x 2'2"
Side Single (nearside)					179cm x 67cm/5'10" x 2'2"
Side Bunk (offside)					180cm x 59cm/5'11" x 1'11"
Side Bunk (nearside)					170cm x 59cm/5'7" x 1'11"
Rear Fixed Lower Bunk					
Rear Fixed Upper Bunk					

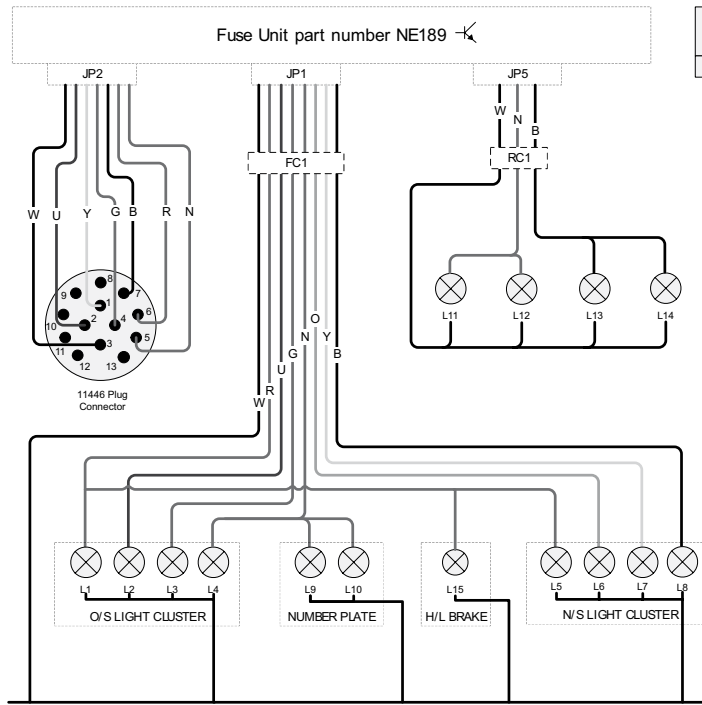
Bed sizes: Please note that double bed sizes are quoted with wrap round seating.

†Note on awning sizes: Due to the varying awning designs and sizes the awning sizes given are approximate only. Specific awning sizes must be confirmed by your dealer or the awning manufacturer prior to purchase.

*Estimate

Wiring diagrams

Charisma range - Road lighting



Road Lighting
T3B / T4B range (where applicable)

SARGENT ELECTRICAL SERVICES LTD Issue 01 05/02/08

L1	Brake lamp	21w
L2	Fog Hazard lamp	21w
L3	O/S Indicator lamp	21w
L4	O/S Tail lamp	5w
L5	Brake lamp	21w
L6	Reverse lamp	21w
L7	N/S Indicator lamp	21w
L8	N/S Tail lamp	5w
L9	Number plate lamp	5w
L10	Number plate lamp	5w
L11	O/S front marker lamp	5w
L12	O/S rear marker lamp	5w
L13	N/S front marker lamp	5w
L14	N/S rear marker lamp	5w
L14	High Level Brake lamp	2.3w

See separate sheet for cable colour chart

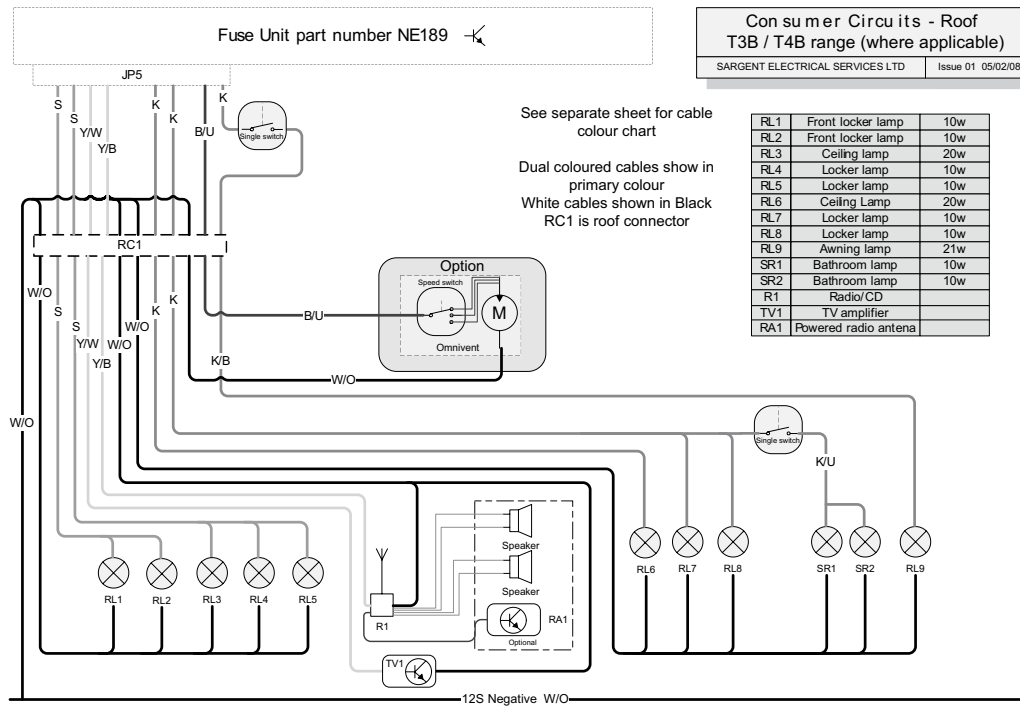
Dual coloured cables show in primary colour
White cables shown in Black
RC1 is the roof connector
FC1 is the rear panel connector

12N Negative W

Copyright Sargent Electrical Services Ltd. 2008 all rights reserved. Subject to change without prior notice.

Wiring diagrams

Charisma range - Roof circuits



Consumer Circuits - Roof T3B / T4B range (where applicable)

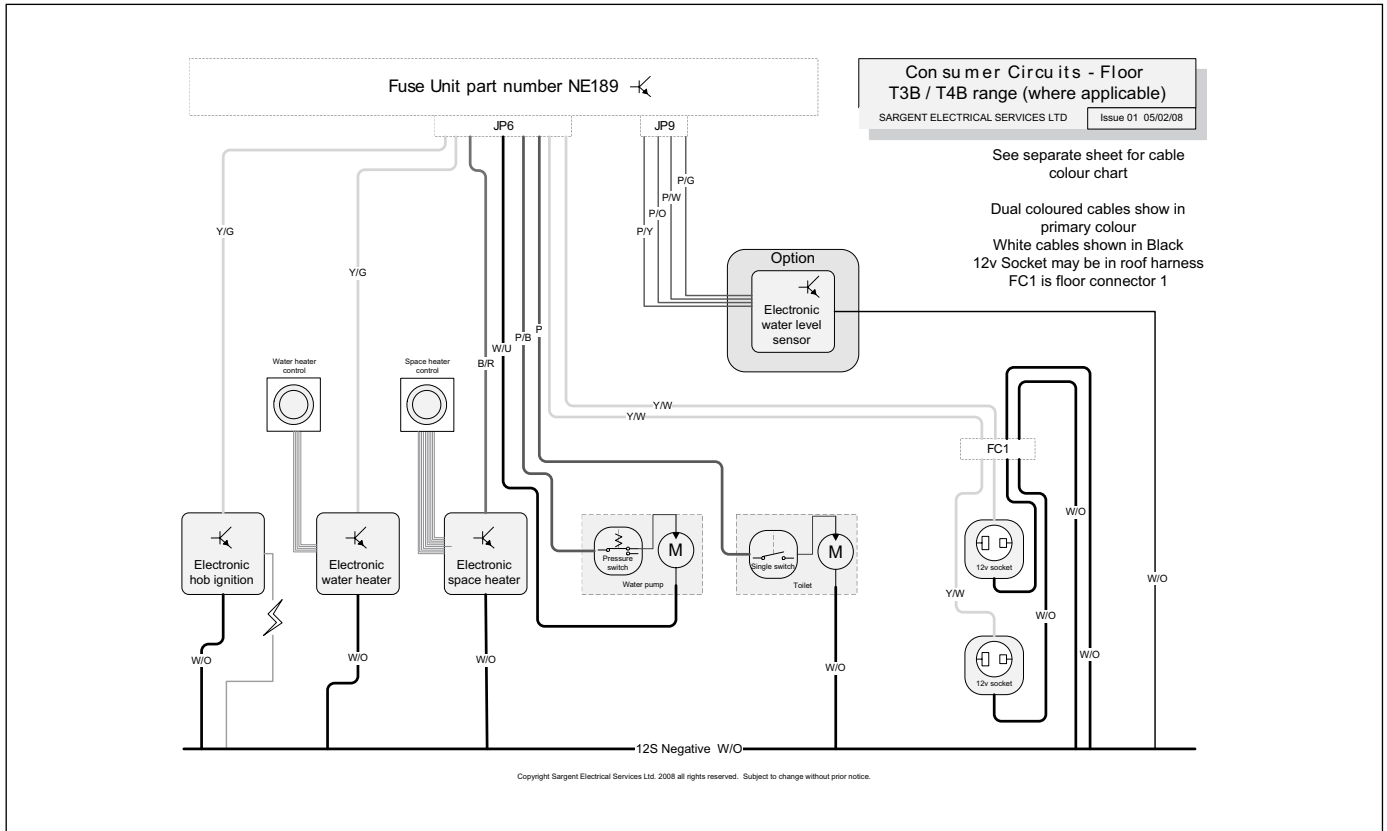
SARGENT ELECTRICAL SERVICES LTD Issue 01 05/02/08

RL1	Front locker lamp	10w
RL2	Front locker lamp	10w
RL3	Ceiling lamp	20w
RL4	Locker lamp	10w
RL5	Locker lamp	10w
RL6	Ceiling Lamp	20w
RL7	Locker lamp	10w
RL8	Locker lamp	10w
RL9	Awning lamp	21w
SR1	Bathroom lamp	10w
SR2	Bathroom lamp	10w
R1	Radio/CD	
TV1	TV amplifier	
RA1	Powered radio antenna	

Copyright Sargent Electrical Services Ltd. 2008 all rights reserved. Subject to change without prior notice.

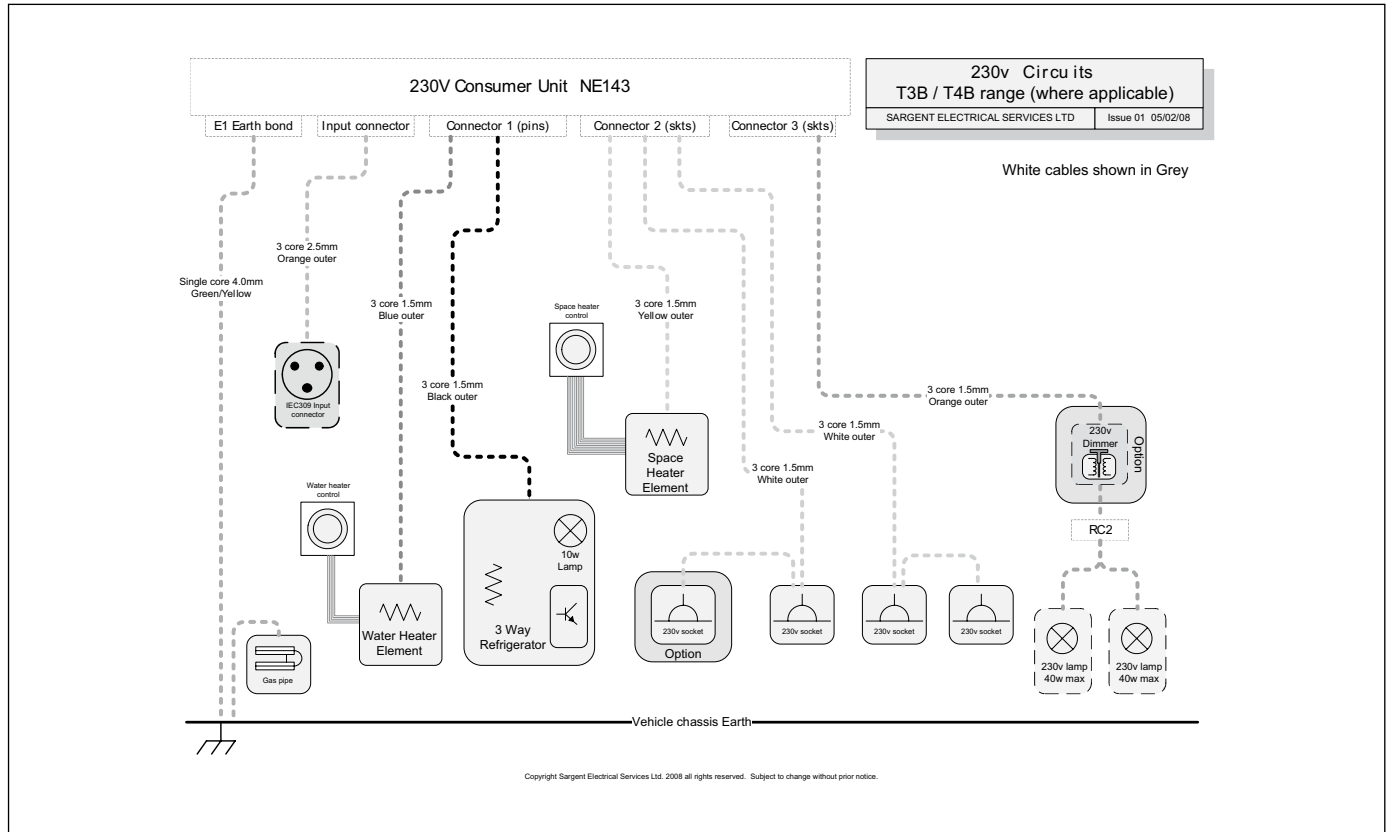
Wiring diagrams

Charisma range - Floor circuits



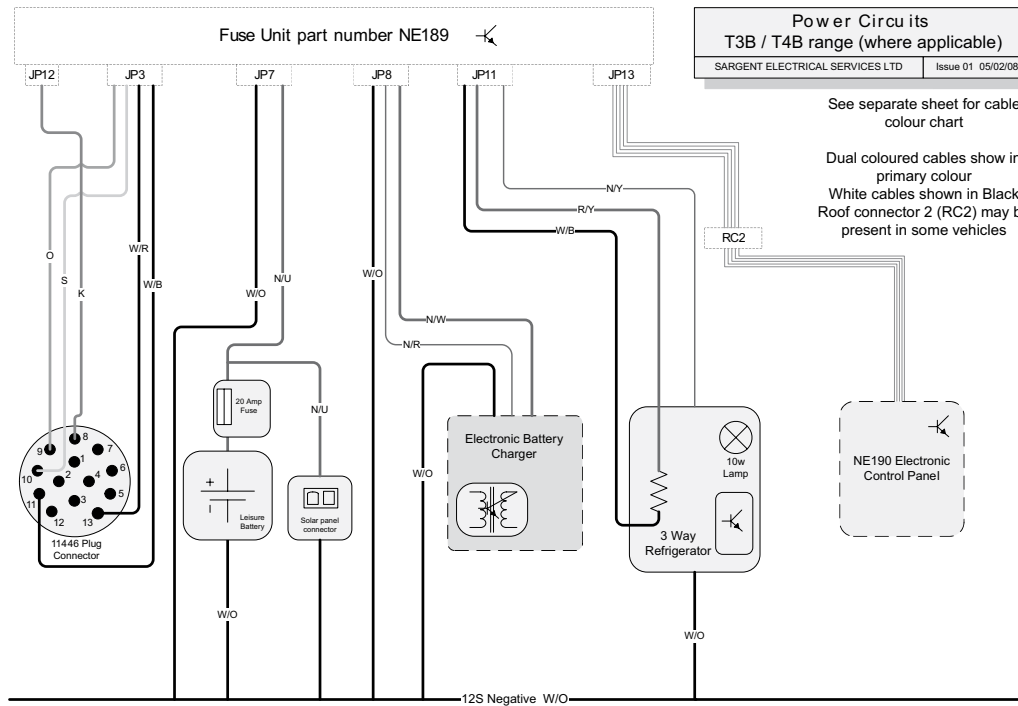
Wiring diagrams

Charisma range - 230V circuits



Wiring diagrams

Charisma range - Power circuits



Copyright Sargent Electrical Services Ltd. 2008 all rights reserved. Subject to change without prior notice.

Wiring diagrams

Charisma range - Cable colour chart



Cable Colour Chart Swift range 2008	
SARGENT ELECTRICAL SERVICES LTD	Issue 01 19/6/07

12v Cable Colours

B	BLACK
N	BROWN
R	RED
O	ORANGE
Y	YELLOW
G	GREEN
U	BLUE
P	PURPLE
S	SLATE GREY
W	WHITE
K	PINK

230v Cable Colours

B	BLACK
N	BROWN
W	WHITE
O	ORANGE
Y	YELLOW
G	GREEN
U	BLUE

Bulb Chart

Exterior Lights	Bulb type	Bulb rating
Front marker lights	W5W	12V 5W
Side marker	C5W	12V 5W
Reversing light	P21	12V 21W
Rear indicator light	P21	12V 21W
Brake / tail light	P21/5W	12V 21W/5W
Fog light	P21	12V 21W
Number plate light	C5W	12V 5W
High level brake light	2DA 343 800-007	LED
Interior / Other Lights	Bulb type	Bulb rating
Awning lights	P21W	12V 20W
Spot / reading lights	GU4/MR11 Dichroic	GU4 12v 10W
Down lighters	Halogen capsule	G4 12v 10W
Ceiling lights, round, single bulb	Halogen capsule	G4 12v 20W
Ceiling lights, round, twin bulb	Halogen capsule	G4 12v 10W
Ceiling lights, round, small white	Halogen capsule	G4 12v 10W
Kitchen light	Fluorescent 300mm	12V 8W
Mains lights	Small screw	230V 40W