



Enjoy the freedom

ACE CARAVANS, DUNSWELL ROAD,
COTTINGHAM, EAST YORKSHIRE HU16 4JX.

TEL: 01482 875740 FAX: 01482 840082

email: enquiry@swiftleisure.co.uk

website: www.ace-caravans.co.uk

A MEMBER OF THE SWIFT GROUP



**SPECIFICATION, WIRING DIAGRAMS
& BULB CHART**





CONTENTS

Specification	1
Wiring Diagrams	
Road Lights	2
Consumer Circuits - Roof	3
Consumer Circuits - Floor	4
Power Circuits	5
230V Circuits	6
Consumer Circuits – Floor with Alde Heating	7
230V Circuits – Floor with Alde Heating	8
Cable Colour Chart	8
Bulb Replacement	10

Specifications

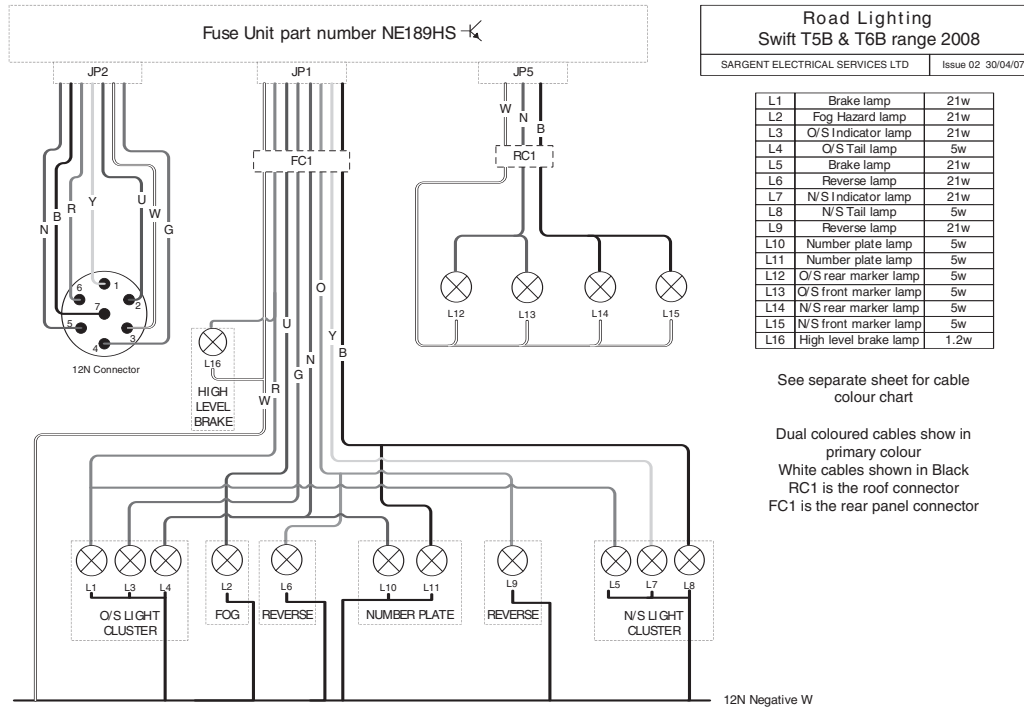
	SUPREME TWINSTAR	SUPREME GLOBESTAR
Berths	4	4
Axles	2	2
Internal Length (bed box height)	6.27m/20'7"	6.27m/20'7"
Overall Width	2.29m/7'6"	2.29m/7'6"
Overall Height (inc. TV Aerial)	2.70m/8'10"	2.70m/8'10"
Maximum Internal Headroom	1.95m/6'5"	1.95m/6'5"
Overall Length	7.95m/26'1"	7.95m/26'1"
Mass in Running Order (inc. tolerance)	1532kg/30.2cwt	1532kg/30.2cwt
Essential Habitation Equipment Payload	104kg/2.0cwt	104kg/2.0cwt
Personal Effects Payload	141kg/2.8cwt	141kg/2.8cwt
Optional Equipment Payload	38kg/0.7cwt	38kg/0.7cwt
Total user Payload	283kg/5.5cwt	283kg/5.5cwt
Maximum Technical Permissible Laden Mass (DECLARED)	1815kg/35.7cwt	1815kg/35.7cwt
Maximum Technical Permissible Laden Mass (POSSIBLE)	1900kg/37.4cwt	1900kg/37.4cwt
Awning A/A dimension†	10.64m/34'11"	10.64m/34'11"
Tyre Size	175/65 r14 86	175/65 r14 86
Tyre pressure at DECLARED MTPLM	40psi	40psi
Tyre pressure at POSSIBLE MTPLM	44psi	44psi
Static Load on Coupling Head	100kg	100kg
Thermal Insulation Grade	TWO	TWO
Bed Sizes		
Front Double	206cm x 159cm/6'9" x 5'3"	206cm x 167cm/6'9" x 5'6"
or One Single	167cm x 70cm/5'6" x 2'4"	190cm x 70cm/6'3" x 2'4"
and One Single	159cm x 70cm/5'3" x 2'4"	167cm x 70cm/5'6" x 2'4"
Rear Double	190cm x 134cm/6'3" x 4'3"	184cm x 133cm/6'0" x 4'4"
Side Single (offside)		
Side Single (nearside)		
Side Bunk		

Bed sizes: Please note that double bed sizes are quoted with wrap round seating.

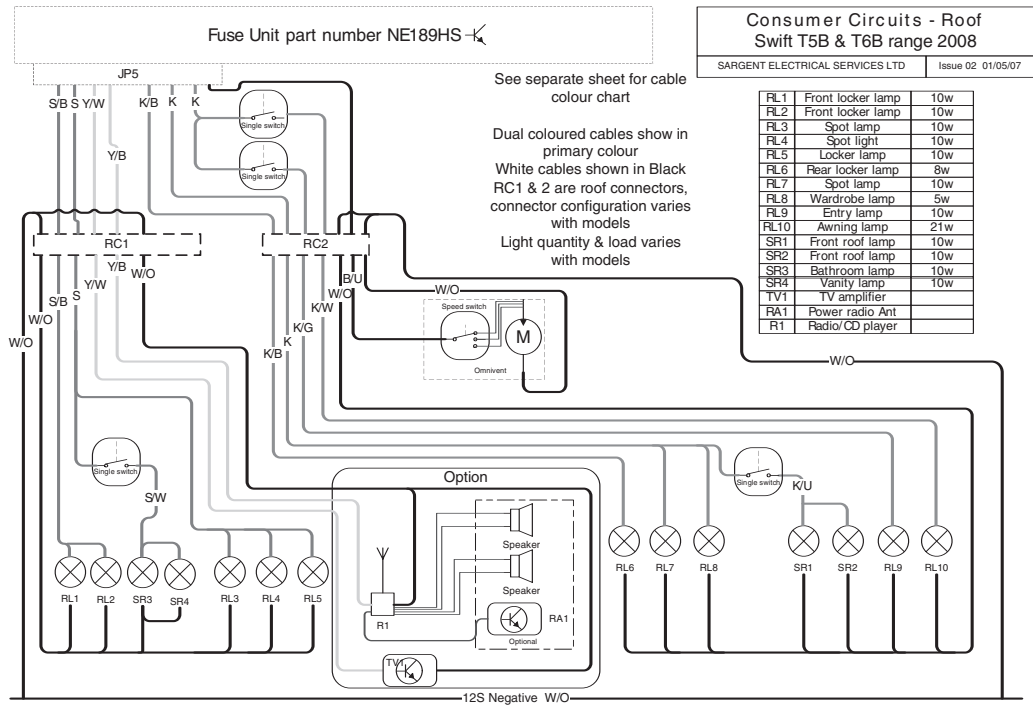
†**Note on awning sizes:** Due to the varying awning designs and sizes the awning sizes given are approximate only. Specific awning sizes must be confirmed by your dealer or the awning manufacturer prior to purchase.

Wiring Diagrams

SUPREME RANGE - ROAD LIGHTING

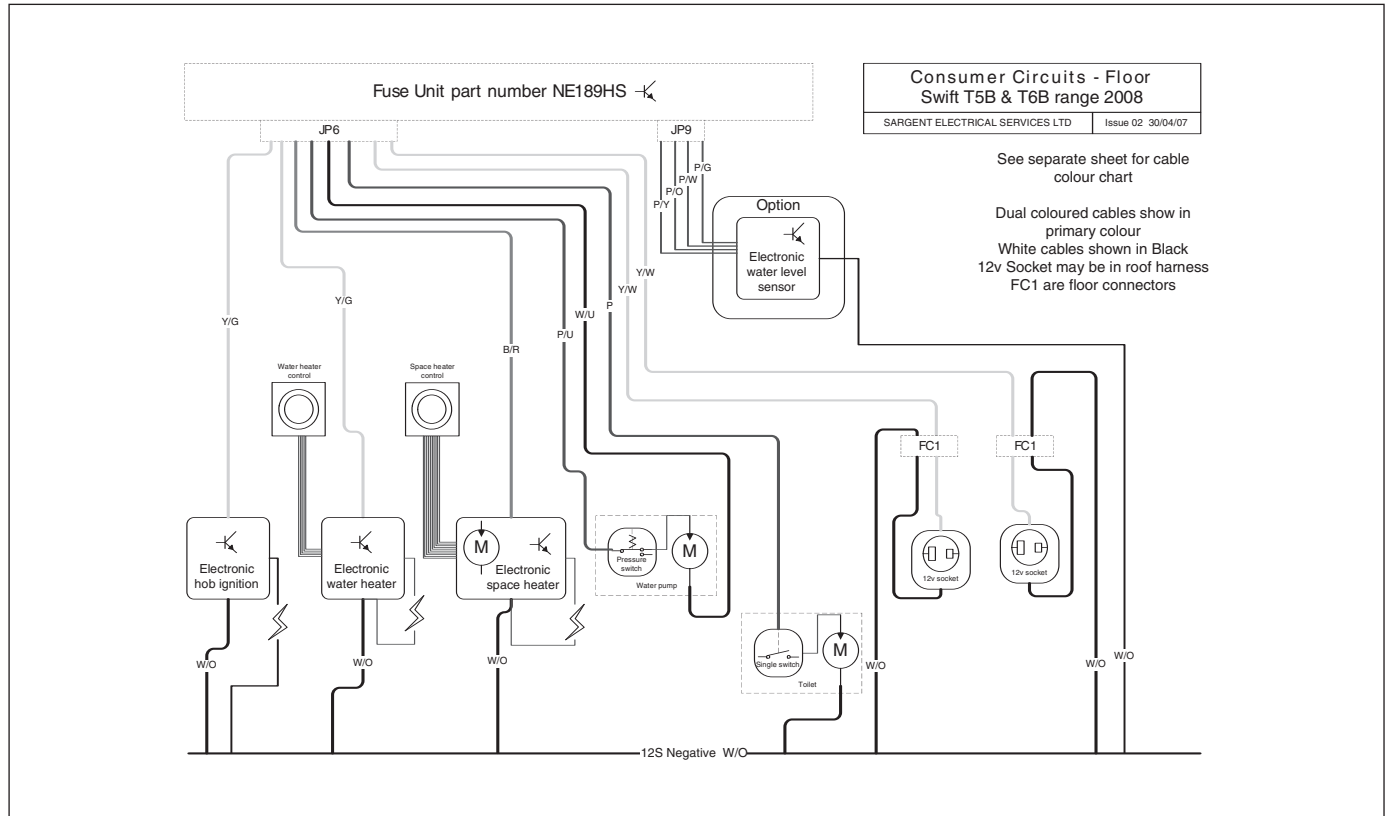


SUPREME RANGE - CONSUMER CIRCUITS - ROOF

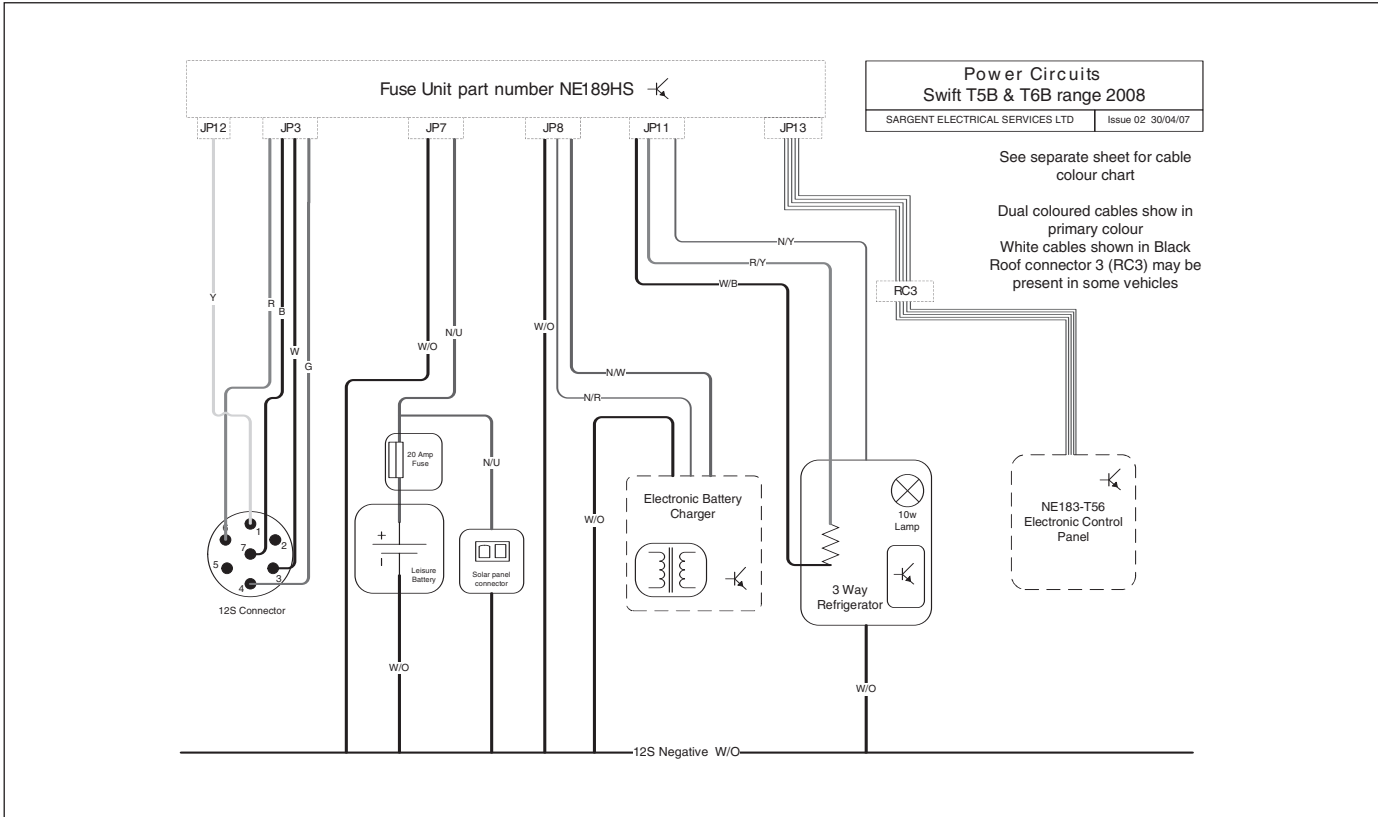


Wiring Diagrams

SUPREME RANGE - CONSUMER CIRCUITS – FLOOR

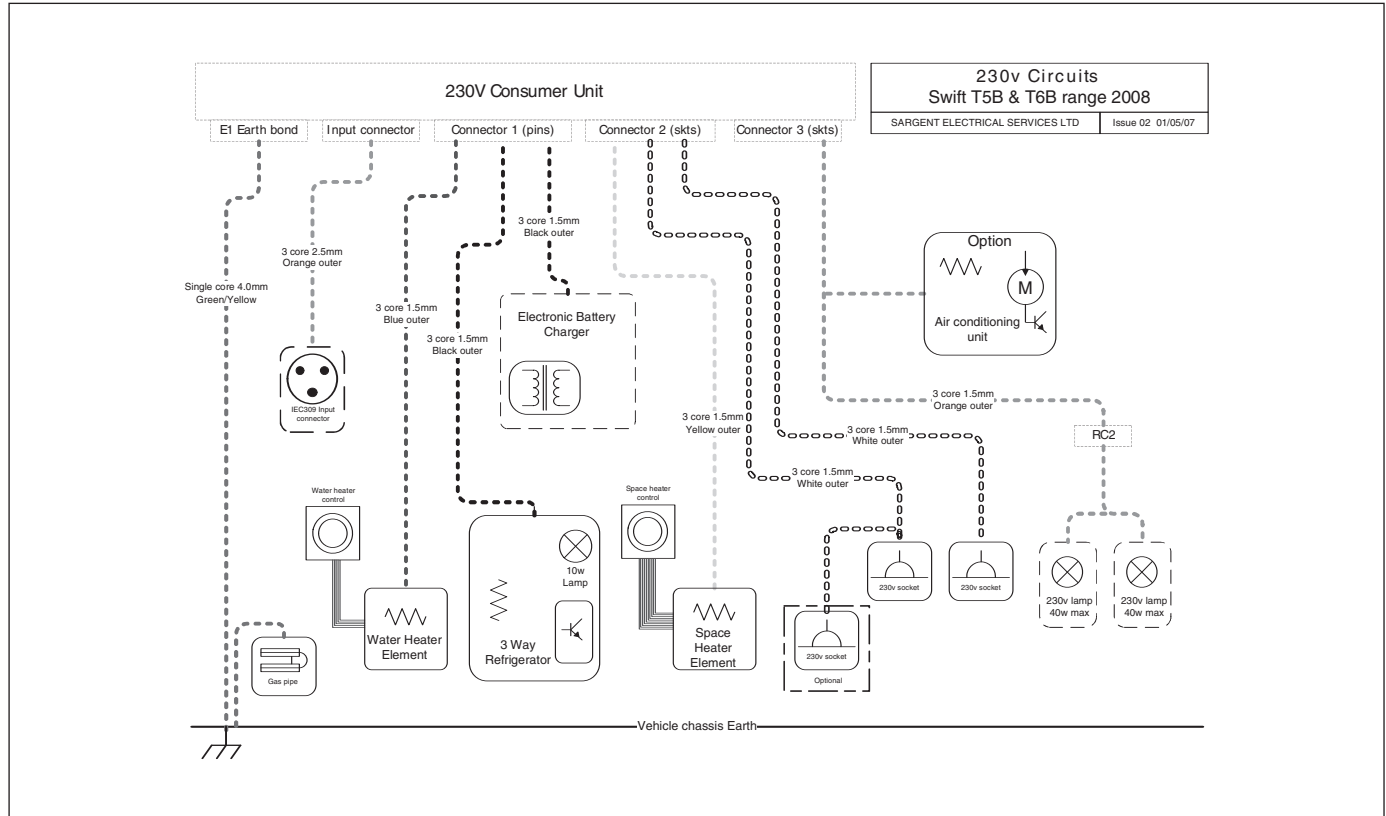


SUPREME RANGE - POWER CIRCUITS

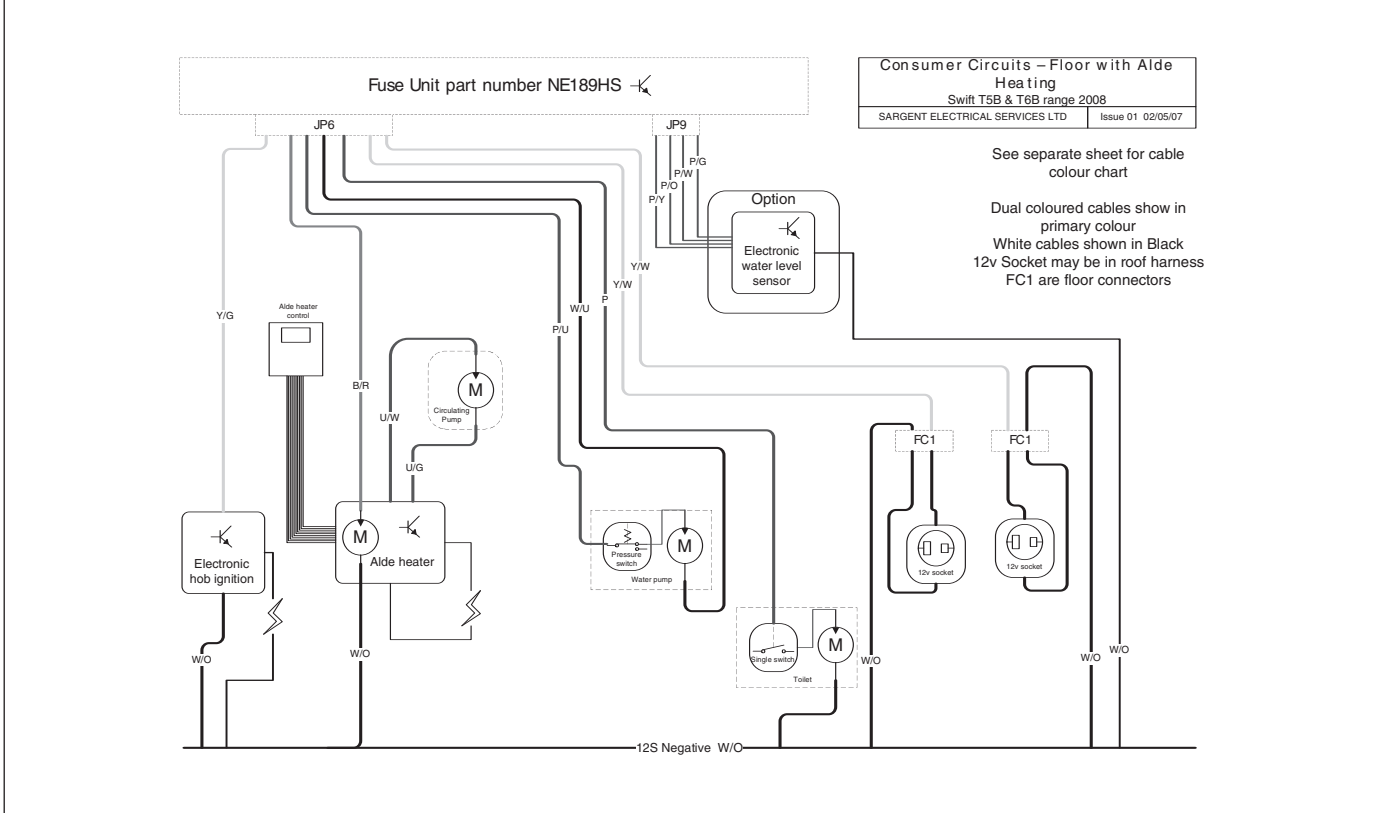


Wiring Diagrams

SUPREME RANGE - 230V CIRCUITS

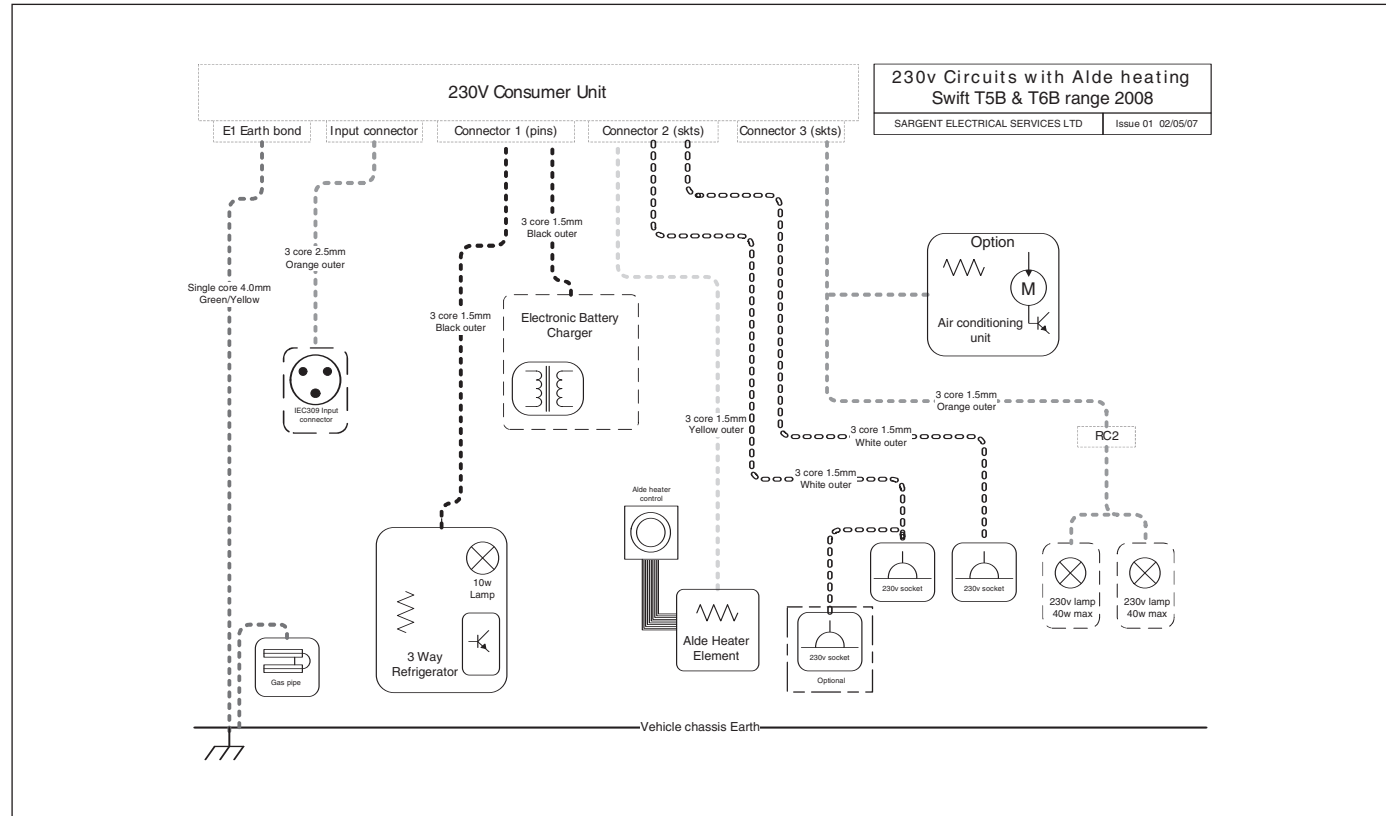


SUPREME RANGE - CONSUMER CIRCUITS - FLOOR WITH ALDE HEATING



Wiring Diagrams

SUPREME RANGE - 230V CIRCUITS WITH ALDE HEATING



SUPREME RANGE - CABLE COLOUR CHART

Cable Colour Chart Swift range 2007	
SARGENT ELECTRICAL SERVICES LTD	Issue 01 1/1/07

12v Cable Colours

B	BLACK
N	BROWN
R	RED
O	ORANGE
Y	YELLOW
G	GREEN
U	BLUE
P	PURPLE
S	SLATE GREY
W	WHITE
K	PINK

230v Cable Colours

B	BLACK
N	BROWN
W	WHITE
O	ORANGE
Y	YELLOW
G	GREEN
U	BLUE

Bulb Replacement

	TYPE	RATING	SUPREME		
ROAD LIGHTS					
Front marker lights	W5W	12v 5w	✓		
Side marker	C5W	12v 5w	✓		
Reversing light	P21	12v 21w	✓		
Rear indicator light	P21	12v 21w	✓		
Brake / tail light	P21/5W	12v 21w / 5w	✓		
Fog light	P21	12v 21w	✓		
Number plate light	C5W	12v 5w	✓		
High level brake light	2DA 343 800-007	LED	✓		
INTERIOR/OTHER					
Awning light	P21W	12v 20w	✓		
Spot / reading lights	GU5.3/MR16 Dichroic	GU5.3 12v 10w	✓		
Downlighters	Halogen capsule	G4 12v 10w	✓		
Round ceiling lights small white	Halogen capsule	G4 12v 10w	✓		
Kitchen light	Fluorescent 300mm	12v 8w	✓		
Mains lights	Small screw	230v 40w	✓		

Note: Not all bulbs and lights feature on all models within a range